



H Husqvarna®



Z 245i

Contents

Introduction.....	2	Troubleshooting.....	28
Safety.....	7	Transportation, storage and disposal.....	33
Assembly.....	13	Technical data.....	37
Operation.....	15	Service.....	41
Maintenance.....	22	Appendix	42

Introduction

Pre-delivery inspection and product numbers

Note: A pre-delivery inspection has been done of this product. Make sure that you receive a signed copy of the pre-delivery inspection document from your dealer.

Husqvarna servicing dealer contact information:	
This operator's manual belongs to product with product number / serial number:	
/	
Motor:	

Product description

This is a ride-on lawn mower with a ClearCut™ cutting deck. The product is battery-operated and has an installed battery. The control levers let the operator steer the product and adjust the speed of the product.

Intended use

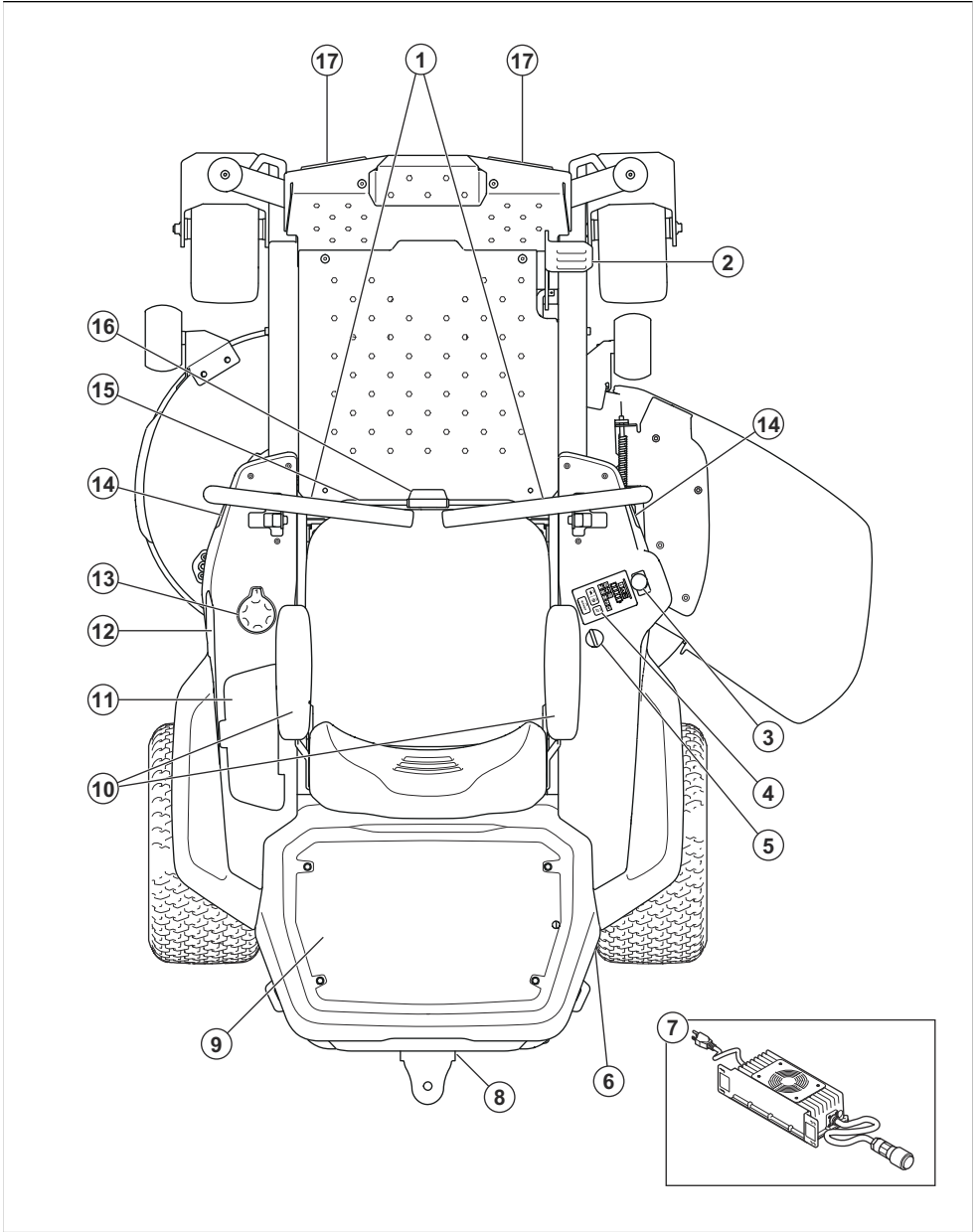
The product is made to cut grass on open and level ground in residential areas and gardens. Attach an

optional accessory to use the product for other tasks. Speak to your Husqvarna dealer for more information about which accessories that are available.

Insure your product

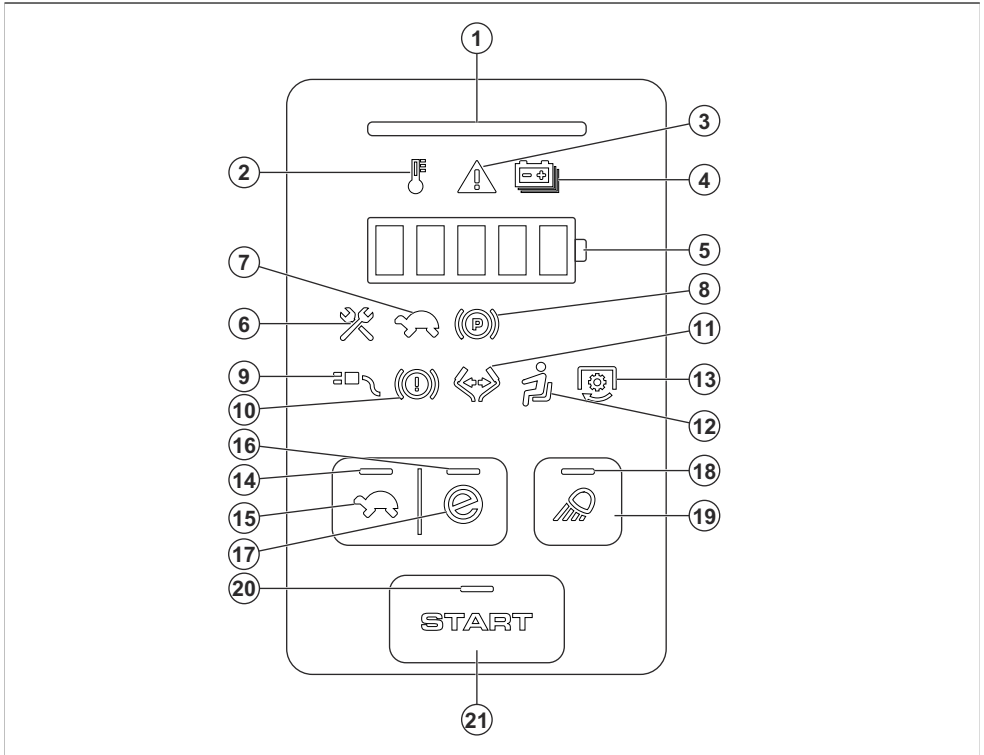
Make sure that you have insurance coverage for your new product. Speak to your insurance company if you are not sure. We recommend a fully comprehensive insurance that includes third party, fire, damage, theft and liability.

Product overview



6. Lever to engage or disengage the electric parking brake
7. Battery charger
8. Tow bar
9. Cargo bed, refer to *Technical data on page 37* for maximum load.
10. Armrests
11. Storage compartment
12. Socket for battery charger
13. Cutting height adjustment knob
14. Trim edge lights
15. Seat adjustment lever
16. Seat suspension adjustment knob
17. Headlights

User interface overview



1. Start indicator bar
2. Temperature indicator. If the temperature indicator on the user interface comes on, refer to *User interface – Troubleshooting on page 31*.
3. Warning indicator. If the warning indicator on the user interface comes on, the product stops. Refer to *User interface – Troubleshooting on page 31*.
4. Battery indicator
5. Battery level indicator
6. Service indicator
7. Decreased performance mode indicator
8. Parking brake engaged indicator
9. Start prevented. Charging cable connected indicator
10. Start prevented. Indicator for electric parking brake system disengaged.
11. Start prevented. Parking brake disengaged indicator
12. Start prevented. Operator presence control (OPC) indicator
13. Start prevented. Blades engaged indicator
14. Precision mode indicator
15. Precision mode button
16. SavE indicator
17. SavE button
18. Work light indicator
19. Work light button
20. Start indicator
21. Start button

Start prevented

Before the drive mode can start, the operation conditions must be obeyed. Refer to *To start the product on page 19*. If the start button is pushed when the operation conditions are not obeyed, the symbol on the user interface flashes. Refer to *User interface – Troubleshooting on page 31*.

Husqvarna Connect

The operators manual and more information about the product is available at Husqvarna Connect App. Husqvarna Connect is a free App for your mobile device. Refer to *To start to use Husqvarna Connect on page 15*.

Steering controls

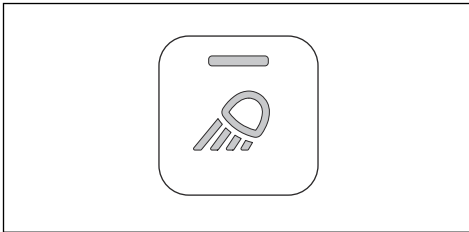
The direction of the product is controlled by the 2 control levers. Refer to *Product overview on page 3*. The control levers can be moved forward and rearward from a neutral position. Refer to *To operate the product on page 20*.

Operator Presence Control (OPC)

The OPC engages when the operator lifts from the seat. The drive motor stops. The cutting deck motors stop if the blades are engaged. Refer to *Operation conditions on page 12*.

Headlights and trim edge lights

Push the light button on the user interface to turn the lights on. Push the light button again to turn the lights off.



Symbols on the product



WARNING: This product can be dangerous and cause serious injury or death to the operator or others. Be careful and use the product correctly.



Read the operator's manual carefully and make sure that you understand the instructions before you use the product.



Always use approved hearing protection.



Stop the product and remove the power switch key before you do maintenance.



Keep bystanders away.



Do not operate the product across a slope. Do not operate the product on ground with slopes larger than 10°.



Tip-over hazard



Look out for ejecting objects and ricochets.



Keep hands and feet away from the cutting deck.



Keep body parts away from rotating parts.



Look behind you before and while you move the product in reverse.



Never carry passengers on the product or equipment.



Move the control levers forward or rearward to operate the product.

Move the control levers outward to engage the parking brake.

Move the control levers in the inward direction to disengage the parking brake.



Parking brake.



Fast.



Slow.



Neutral.



Reverse.



The maximum specified load on the cargo bed is specified in *Technical data on page 37* and on the label.



No step



Do not sit on the cargo bed.



Do not use a high-pressure washer or a steam cleaner.



Socket for battery charger. The approved battery chargers are specified in *Technical data on page 37* and on the label.



Do not tow the product.



Disengage the electric parking brake.



Engage the electric parking brake.



Power off



Power on

START

Start drive mode.



Low cutting height.



High cutting height.



The blades are disengaged.



The blades are engaged.



MAX. XXX N (XX lb / XX kg)

Max. permitted vertical load on the towbar is specified in *Technical data on page 37* and on the label.



MAX. XXX N (XX lb / XX kg)

Max. permitted horizontal load on the towbar is specified in *Technical data on page 37* and on the label.



Do not try to repair the battery. Speak to your Husqvarna servicing dealer.



Noise emission to the environment label as per EU and UK directives and regulations, and New South Wales legislation "Protection of the Environment Operations (Noise Control) Regulation 2017". The guaranteed sound power level of the product is specified in *Technical data on page 37* and on the label.



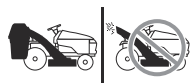
Scannable code



Environmental mark. The product or package of the product is not domestic waste. Recycle it at a recycling station for electrical and electronic equipment.



Make sure that the protective cover is attached before you operate the product. Do not operate the product without the protective covers.



Make sure that the collector is attached when you use the side collection system. Do not operate the product without the collector when you use the side collection system.

Note: Other symbols/decals on the product refer to certification requirements for some markets.

Product damage

We are not responsible for damages to our product if:

- the product is incorrectly repaired.
- the product is repaired with parts that are not from the manufacturer or not approved by the manufacturer.
- the product has an accessory that is not from the manufacturer or not approved by the manufacturer.
- the product is not repaired at an approved service center or by an approved authority.

Support

For support about the product, go to the Support section on to access instructions, troubleshooting guides, or to use the Husqvarna Self-Service and the Product Assistant (if available in your market). For more support about the product, speak to your Husqvarna servicing dealer.

Safety

Safety definitions

Warnings, cautions and notes are used to point out specially important parts of the manual.



WARNING: Used if there is a risk of injury or death for the operator or bystanders if the instructions in the manual are not obeyed.



CAUTION: Used if there is a risk of damage to the product, other materials or the adjacent area if the instructions in the manual are not obeyed.

Note: Used to give more information that is necessary in a given situation.

General product safety warnings



WARNING: Read all safety warnings, instructions, illustrations and specifications provided with this product. Failure to follow all instructions listed below may result in electric shock, fire and/or serious injury.

Save all warnings and instructions for future reference. The term "product" in the warnings refers to your mains-operated (corded) product or battery-operated (cordless) product.

Work area safety

- **Keep work area clean and well lit.** Cluttered or dark areas invite accidents.
- **Do not operate the product in explosive atmospheres, such as in the presence of flammable liquids, gases or dust.** The product create sparks which may ignite the dust or fumes.
- **Keep children and bystanders away while operating the product.** Distractions can cause you to lose control.

Personal safety

- **Stay alert, watch what you are doing and use common sense when operating a product. Do not use a product while you are tired or under the influence of drugs, alcohol or medication.** A moment of inattention while operating products may result in serious personal injury.
- **Use personal protective equipment. Always wear eye protection.** Protective equipment such as dust mask, non-skid safety shoes, hard hat or hearing protection used for appropriate conditions will reduce personal injuries.
- **Prevent unintentional starting. Ensure the switch is in the off-position before connecting to power source and/or battery pack, picking up or carrying the product.** Carrying products with your finger on the switch or energising products that have the switch on invites accidents.
- **Remove any adjusting key or wrench before turning the product on.** A wrench or a key left attached to

a rotating part of the product may result in personal injury.

- **Do not overreach. Keep proper footing and balance at all times.** This enables better control of the product in unexpected situations.
- **Dress properly. Do not wear loose clothing or jewellery. Keep your hair and clothing away from moving parts.** Loose clothes, jewellery or long hair can be caught in moving parts.
- **If devices are provided for the connection of dust extraction and collection facilities, ensure these are connected and properly used.** Use of dust collection can reduce dust-related hazards.
- **Do not let familiarity gained from frequent use of products allow you to become complacent and ignore product safety principles.** A careless action can cause severe injury within a fraction of a second.

Product use and care

- **Do not force the product. Use the correct product for your application.** The correct product will do the job better and safer at the rate for which it was designed.
- **Do not use the product if the switch does not turn it on and off.** Any product that cannot be controlled with the switch is dangerous and must be repaired.
- **Disconnect the plug from the power source and/or remove the battery pack, if detachable, from the product before making any adjustments, changing accessories, or storing products.** Such preventive safety measures reduce the risk of starting the product accidentally.
- **Store idle products out of the reach of children and do not allow persons unfamiliar with the product or these instructions to operate the product.** Products are dangerous in the hands of untrained users.
- **Maintain products and accessories. Check for misalignment or binding of moving parts, breakage of parts and any other condition that may affect the product's operation. If damaged, have the product repaired before use.** Many accidents are caused by poorly maintained products.
- **Keep cutting tools sharp and clean.** Properly maintained cutting tools with sharp cutting edges are less likely to bind and are easier to control.
- **Use the product, accessories and tool bits etc. in accordance with these instructions, taking into account the working conditions and the work to be performed.** Use of the product for operations different from those intended could result in a hazardous situation.
- **Keep handles and grasping surfaces dry, clean and free from oil and grease.** Slippery handles and grasping surfaces do not allow for safe handling and control of the product in unexpected situations.

Battery tool use and care

- **Recharge only with the charger specified by the manufacturer.** A charger that is suitable for one type

of battery pack may create a risk of fire when used with another battery pack.

- **Use products only with specifically designated battery packs.** Use of any other battery packs may create a risk of injury and fire.
- **When battery pack is not in use, keep it away from other metal objects, like paper clips, coins, keys, nails, screws or other small metal objects, that can make a connection from one terminal to another.** Shorting the battery terminals together may cause burns or a fire.
- **Under abusive conditions, liquid may be ejected from the battery; avoid contact. If contact accidentally occurs, flush with water. If liquid contacts eyes, additionally seek medical help.** Liquid ejected from the battery may cause irritations or burns.
- **Do not use a battery pack or tool that is damaged or modified.** Damaged or modified batteries may exhibit unpredictable behavior resulting in fire, explosion or risk of injury.
- **Do not expose a battery pack or tool to fire or excessive temperature.** Exposure to fire or temperature above 130 °C may cause explosion.
- **Follow all charging instructions and do not charge the battery pack or tool outside the temperature range specified in the instructions.** Charging improperly or at temperatures outside the specified range may damage the battery and increase the risk of fire.

Service

- **Have your product serviced by a qualified repair person using only identical replacement parts.** This will ensure that the safety of the product is maintained.
- **Never service damaged battery packs.** Service of battery packs should only be performed by the manufacturer or authorized service providers.

General safety instructions



WARNING: This product can cut off hands and feet and throw objects. Serious injury or death may occur if you do not obey the safety instructions.



WARNING: Do not continue to use a product with damaged cutting equipment. Damaged cutting equipment can throw objects and cause serious injury or death. Replace damaged blades immediately.



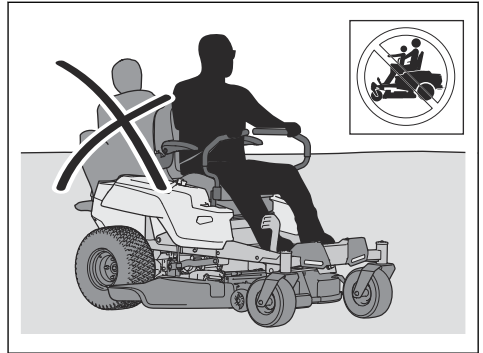
WARNING: This product produces an electromagnetic field during operation. This field may under some circumstances interfere with active or passive medical implants. To reduce the risk of serious or fatal injury we recommend persons with

medical implants to consult their physician and the medical implant manufacturer before operating this product.

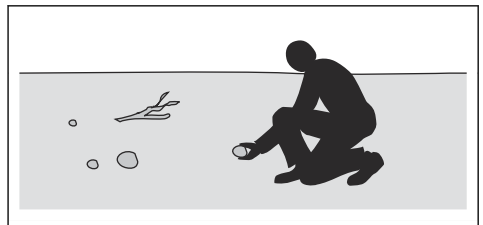


WARNING: Read the warning instructions that follow before you use the product.

- Always be careful and use your common sense. Avoid all situations which you consider to be beyond your capability. If you feel uncertainty about the operating procedures after you read the operator's manual, consult an expert before you continue.
- Read, understand and obey the operator's manual and the instructions on the product carefully before you start the product.
- Learn how to use the product and its controls safely and learn how to stop the product quickly.
- Learn to recognize the safety decals.
- Do not change this product or use the product if it is possible that it has been changed by others.
- Keep the product clean to make sure that you can clearly read signs and stickers.
- Keep in mind that the operator will be held responsible for accidents that involve other persons or their property.
- Do not put hands or feet near parts that rotate.
- Do not put hands or feet below the product.
- Keep away from the discharge opening at all times.
- Make sure that discharged material does not hit other persons or animals.
- Make sure that discharged material does not hit walls or other hard surfaces. Discharged materials can ricochet.
- Always stop the blades when you operate the product on gravel surfaces.
- Do not operate the cutting deck if the discharge chute or other safety devices are missing or do not operate correctly.
- Always disengage the blades when you do not mow.
- Do not use the cutting deck to mow leaves or other unwanted materials that can cause buildup.
- The cargo bed is used for storage. Do not use the cargo bed as a seat. For maximum load of the cargo bed, refer to *Technical data on page 37*.
- Do not transport passengers. The product must only be used by one person.



- Do not let the product stay unsupervised with the power on. Always stop the blades, make sure that the parking brake is engaged, stop the motor, and remove the key for the power switch before you let the product stay unsupervised.
- Only use the product in daylight or in other well-lit conditions. Keep the product at a safe distance from holes or other irregularities in the ground. Look out for other possible risks.
- Do not use the product in bad weather, for example in fog, in rain, moist or in wet locations, strong winds, intense cold, risk of lightning, etc.
- Find and mark stones and other fixed objects to prevent collision.
- Clear the area of objects such as stones, toys, wires, etc. that may become caught in the blades and be thrown out.



- Do not let children or other persons not approved for operation of the product to use or do servicing on it. Local laws may regulate the age of the user.
- Make sure that nobody else is in the vicinity of the product when you start the product, engage the drive, or start to move the product.
- Keep an eye on the traffic when you mow near a road or move across a road.
- Do not use the product if you are fatigued, while under the influence of alcohol or drugs, medicine or anything that can have a negative effect on your vision, alertness, coordination or judgement.
- Be careful when you put the product on a trailer or a truck and when you remove the product from a trailer or truck.

- Always park the product on a level surface with the power off.
- Stop the product and make sure that all parts have stopped before you clean or do maintenance on the product.
- Stop the product and make sure that all parts have stopped before you remove the collector (if equipped) or remove the blockage in the discharge chute.
- Let the product become cool before you put it in storage.

Safety instructions regarding children



WARNING: Read the warning instructions that follow before you use the product.

- Serious accidents can occur if you are not on your guard for children in the vicinity of the product. Children can be attracted to the product and to mowing. It is very possible that children do not stay where you last saw them.
- Keep children away from the area to be mowed. Make sure that an adult is responsible for the children.
- Keep an eye out and stop the product if children enter the work area. Be very careful near corners, bushes, trees or other objects that prevents a clear view.
- Before and while you move the product in reverse, look behind you and look down to make sure there are no small children in the vicinity of the product.
- Do not let children ride along. They can fall off and get seriously injured or prevent safe maneuvering of the product.
- Do not let children operate the product.
- Never let children ride along, not even with blades shut off. They can fall off and get seriously injured or prevent safe maneuvering of the product. Children who have been given rides in the past may suddenly appear in the work operation area for another ride and be run over or backed over by the product.

Safety instructions for operation



WARNING: Read the warning instructions that follow before you use the product.

- Always look down and behind you before and while you move in reverse. Look out for large and small obstacles.
- Decrease the speed before you turn around a corner.
- Stop the blades when you move across areas that you do not cut.



CAUTION: Read the caution instructions that follow before you use the product.

- Move around stones and other larger objects carefully and make sure that the blades do not hit the objects.
- Do not operate the product across objects. Stop and examine the product and cutting deck if you operate the product across or into an object. If it is necessary, make repairs before you restart.

Safety instructions for operation on slopes



WARNING: Read the warning instructions that follow before you use the product.

Slopes are a major factor related to accidents. Operation on slopes requires extra caution.

- Travel in the manufacturer recommended direction on slopes. Use caution while operating near dropoffs.
- Avoid mowing wet grass. The tires can lose traction.
- Do not operate product under any condition where traction, steering, or stability is in question. Tires could slide even if the wheels are stopped.
- Always keep the product in gear when going down slopes. Do not coast downhill.
- Avoid starting and stopping on slopes. Avoid making sudden changes in speed or direction. Make turns slowly and gradually.
- If the tires lose traction, disengage the blades and continue slowly straight down the slope.
- Use extra care while operating product with a grass catcher or other attachment(s). They can affect the stability of the product.
- To cut grass on slopes increases the risk that you can not control the product and that it overturns. This can cause injury or death. It is necessary to cut the grass carefully on all slopes. If you cannot reverse up a slope or if you do not feel safe, do not cut it.
- Remove stones, branches and other obstacles.
- Cut the grass on the slope up and down, not from side to side.
- Do not operate the product on ground that slopes more than 10°.
- Move smoothly and slowly on slopes.
- Look out for and do not move across furrows, holes and bumps. There is a higher risk that the product overturns on ground that is not flat. Long grass can hide obstacles.
- Do not cut grass near edges, ditches or banks. Keep at least the width of the machine away from these hazards. The product can suddenly overturn if a wheel moves across the edge of a steep slope or a ditch, or if an edge gives way.

Battery safety



WARNING: Read the warning instructions that follow before you use the product.

General:

- Read all safety warnings and all instructions. Failure to follow the warnings and instructions may result in electric shock and fire and/or serious injury.
- The product can be equipped with a second battery. Entrust installation and repairs to your authorized servicing dealer only. Do not try to install or repair the batteries.
- Regularly check that the batteries are intact. Damaged or modified batteries may exhibit unpredictable behavior resulting in fire, explosion or risk of injury. Never repair or open damaged batteries.
- A damaged battery can cause an explosion and cause injury. If the battery has a deformation or is damaged, do not use the product and speak to an approved Husqvarna servicing dealer.
- Do not dismantle, open or shred batteries.
- Do not subject batteries to mechanical shock.
- Do not expose cells or batteries to heat or fire. Avoid storage in direct sunlight.
- Do not short circuit batteries. Do not keep batteries in storage where they can short circuit each other or be short circuited by other metal objects.
- Do not allow battery content to come in contact with the skin or eyes. If contact has been made, wash the affected area with copious amounts of water and seek medical advice.
- Do not use any battery which is not designed for use with the equipment.
- Do not mix cells of different manufacture, capacity, size or type within a device.
- Keep cells or batteries out of the reach of children.
- Keep the battery clean and dry.
- Use only the battery in the application for which it was intended.

58 V batteries:

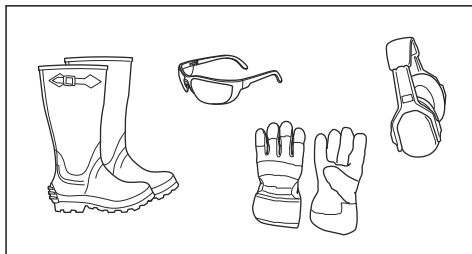
- The Husqvarna 58 V batteries are exclusively used as power supply for the Husqvarna battery ride-on products. To avoid injury, the battery must not be used as a power source for other devices.
- Never use batteries or appliances that are faulty, modified or damaged.
- Only use the battery charger indoors.
- Never attempt to modify or repair the appliances or the batteries. Entrust all repairs to your authorized servicing dealer only.

Personal protective equipment



WARNING: Read the warning instructions that follow before you use the product.

- Use approved personal protective equipment when you use the product. Personal protective equipment cannot fully prevent injury but it decreases the degree of injury if an accident does occur. Let your dealer help you select the right equipment.
- Always wear approved hearing protection. Long term exposure to noise can result in permanent hearing impairment.
- Always wear safety glasses or eye protection while you operate the product or do maintenance or repairs.
- Always wear protective shoes or protective boots. Steel toes are recommended. Do not use the product barefoot.



- Wear gloves when necessary, for example when you attach, examine or clean the cutting equipment.
- Do not wear loose-fitting clothing, jewelry or other items that can get caught in moving parts.
- Do not wear shorts when you operate the product.
- Keep first aid equipment and fire extinguisher close at hand.

Safety devices on the product



WARNING: Read the warning instructions that follow before you use the product.

- Do not use a product with safety devices that are damaged or do not operate correctly. Do a check of the safety devices regularly. If the safety devices are damaged, speak to your Husqvarna servicing dealer.
- Do not make modifications on safety devices. Do not use the product if protective plates, protective covers, safety switches or other protective devices are not attached or are damaged.

To do a check of the power switch

- Disconnect the battery charge cable.
- Set the power switch to the on (I) position. Make sure that the user interface comes on.

- Set the power switch to the off (O) position. Make sure that the product stops immediately and that the user interface goes off.

Operation conditions

These conditions are necessary to start the drive mode:

- The charger is disconnected from the product when the battery is not charging.
- The electric parking brake system is engaged.
- The control levers are in the park position.
- The operator sits in the seat.
- The drive of the blades is disengaged.

To do a check of the operation conditions

Do a check of the operation conditions before use.

1. Make sure that you cannot start the drive mode when the charger is connected to the product and the battery is charging.
2. Make sure that you cannot start the drive mode when the electric parking brake system is disengaged.
3. Make sure that you cannot start the drive mode when the parking brake is disengaged.
4. Make sure that you cannot start the drive mode when you are lifted from the seat.
5. Make sure that you cannot start the drive mode when the drive of the blades is engaged.
6. Make sure that the product stops when the cutting deck is engaged and you lift from the seat.

Parking brake



WARNING: If the parking brake does not work, the product can start to move and cause injury or damage. Make sure that the parking brake is regularly examined and adjusted.

Refer to *To engage and disengage the parking brake on page 17.*

To do a check of the control levers

1. Put the product on a level surface.
2. Start the product and set drive mode to on.
3. Make sure that the left control lever and the right control lever are not blocked and can operate freely.
4. Slowly push the 2 control levers forward to move forward.
5. Release the forward pressure on the 2 control levers and let them go to neutral position to decrease the speed. Make sure that the speed decreases when you let the 2 control levers go to the neutral position.

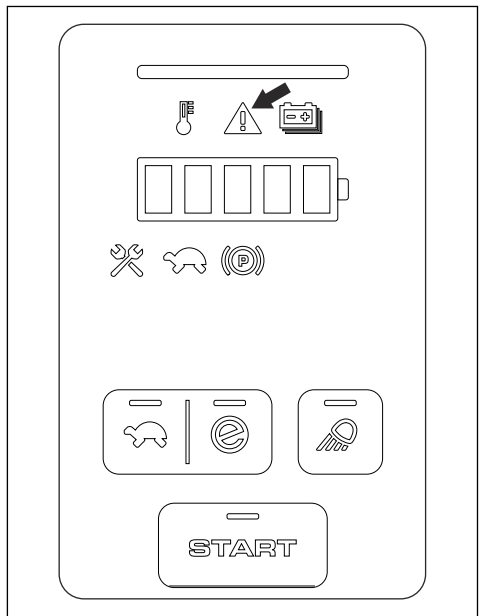
Note: The speed automatically decreases when you let the control levers go to the neutral position.

6. Slowly pull the 2 control levers rearward to move rearward.
7. Release the rearward pressure on the 2 control levers and let them go to neutral position to decrease the speed. Make sure that the speed decreases when you let the 2 control levers go to the neutral position.
8. Make sure that the product does not move when the control levers are in their neutral position on a level surface.

Warning indicator on the user interface



CAUTION: If the warning indicator on the user interface comes on, stop the product and refer to *User interface – Troubleshooting on page 31.*



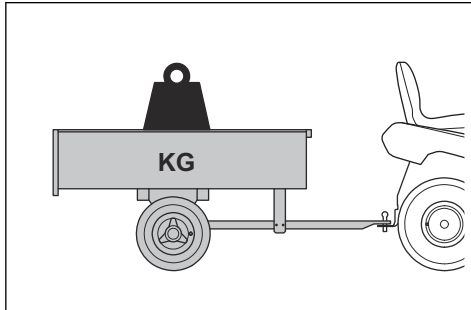
Protective covers

Missing or damaged protective covers increase the risk of injury on moving parts and hot surfaces. Do a check of the protective covers before you operate the product. Make sure that the protective covers are correctly attached and do not have cracks or other damages. Replace damaged covers.

Tow safety

- Only use tow equipment approved by Husqvarna.

- Use the tow bar to attach the equipment.
- Do not tow equipment that is heavier than the maximum permitted tow equipment weight. Refer to *Technical data on page 37*.



- Make sure that no other persons are near the product when you tow equipment.
- Be careful when you tow equipment on slopes or rough ground.
- Operate the product at low speed when you tow equipment.

Transport safety

- Do not tow this product.
- Use an approved transport vehicle for transportation of the product.
- A market's national or local regulations can set limit to the transportation of the product.
- The operator of the transport vehicle is responsible to attach the product safely during transport. Refer to *Transportation on page 33*.

Hauling

- Use full width ramps for loading and unloading a product for transport.

Safety instructions for maintenance



WARNING: The product is heavy and can cause injury or damage to property or the adjacent area. Do not do maintenance on the product and cutting deck without these conditions:

- The power switch is set to in the off (O) position and the key to the power switch is removed.

- The product is parked on a level surface.
- The electric parking brake is engaged.
- The cutting deck is disengaged.
- The cable to the battery charger is disconnected.



WARNING: Read the warning instructions that follow before you use the product.

- For best performance and safety, do maintenance on the product regularly as given in the maintenance schedule. Refer to *Maintenance schedule on page 22*.
- Electrical shocks can cause injuries. Do not do maintenance on the battery. Do not touch the cables when the motor is on. Do not do a function test with your fingers.
- Do not start the product if the protective covers are removed. There is a high risk of injury caused by hot parts or electrical shock.
- Let the product become cool before you do maintenance on it.
- The blades are sharp and can cause cuts. Wind protection around the blades or use protective gloves when you do work on the blades.



CAUTION: Read the caution instructions that follow before you use the product.

- Make sure that all nuts and bolts are tightened correctly and that the equipment is in good condition.
- The noise and vibration emissions from this product during operation can be different from the declared emission values in *Technical data on page 37*. The accurate values and risk of injury to the operator is an effect of how you use and do maintenance on the product, operation times, and the physical condition of the operator. If you operate the product frequently for long periods of time, to prevent the risk of injury, divide the work and take breaks regularly to decrease the daily operation time.
- The product is approved only with the equipment supplied or recommended by the manufacturer.

Assembly

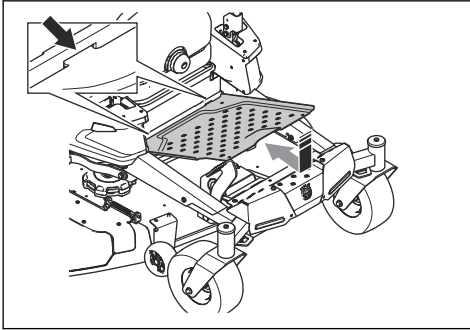
Introduction



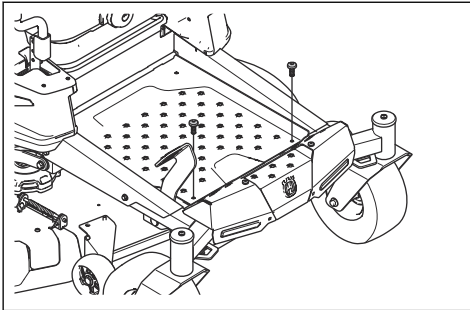
WARNING: Read and understand the safety chapter before you assemble the product.

To install the footrest plate

1. Hold the front of the footrest plate high and push the footplate tabs into the slots below the seat.

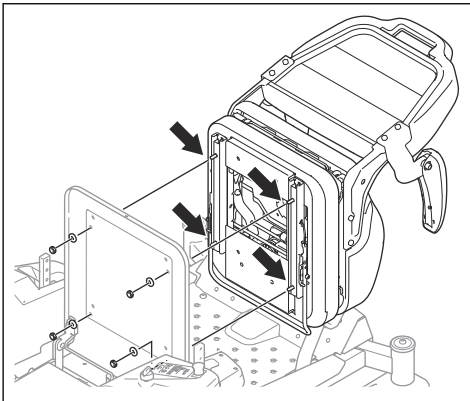


2. Lower the front of the footrest plate and let it move into the correct position.
3. Install the 2 screws.



To install the seat

1. Fold the seat pan forward.
2. Hold the seat in position and install the 4 washers and the 4 nuts.



3. Do a check of the operator presence control. Refer to *To do a check of the operation conditions on page 12*.



WARNING: Do not operate the product if the operator presence control does not operate correctly.

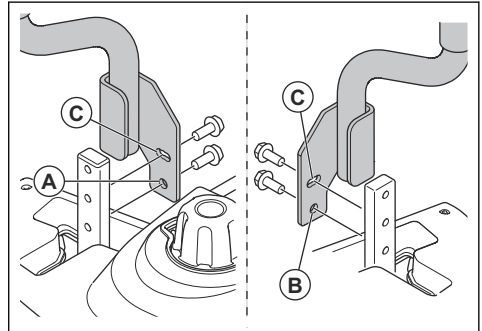
To install and adjust the control levers

You can install the control levers in 2 different height positions and adjust them forward and rearward.



CAUTION: You must install the right control lever on the right side and the left control lever on the left side. Refer to the marks on the control levers.

1. Hold the right control lever in the correct position and install the screw in the lower hole (A).



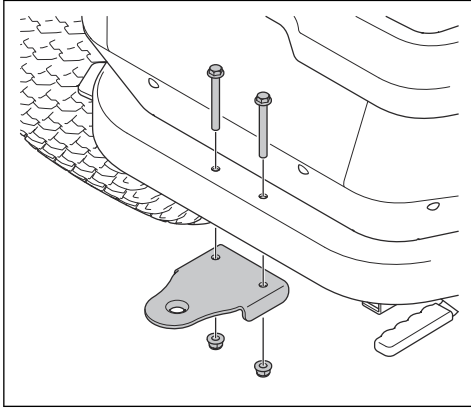
2. Hold the left control lever in the correct position and install the screw in the lower hole (B). Make sure that you install the 2 control levers at the same height.
3. Adjust the position of the 2 control levers forward and rearward. Make sure that the positions of the 2 control levers are equal.
4. Install the top screw (C) on the left side and on the right side.

To set the discharge chute in the operation position before first use

1. Remove the cable tie from the discharge chute.
2. Pull and hold the latch to the side.
3. Fold down the discharge chute.
4. Release the latch.

To install the tow bar

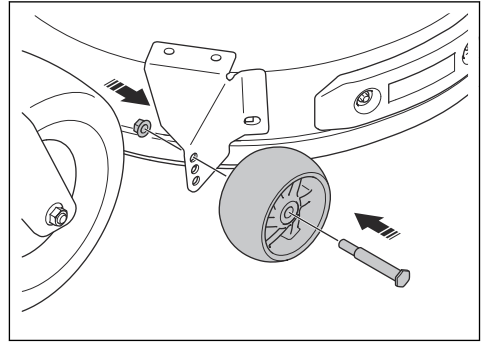
1. Put the tow bar in the correct position.



2. Install the 2 screws and the 2 nuts.

To install the left anti-scalp wheel on the cutting deck

1. Put the pivot wheel in position.
2. Install the bolt and the nut.



3. Tighten the bolt to 47 Nm.

Operation

Introduction



WARNING: Read and understand the safety chapter before you use the product.

To start to use Husqvarna Connect

1. Download the Husqvarna Connect app on your mobile device.
2. Register in the Husqvarna Connect app.
3. Do the instruction steps in the Husqvarna Connect app to connect and register the product.

To charge the battery



WARNING: An incorrectly used or damaged battery charger can cause an electrical shock, battery leakage or too high temperatures. Regularly examine the battery charger and the battery for damage.



CAUTION: Charge the battery before you use it the first time. A new battery is not fully charged.



CAUTION: Only use the approved battery charger supplied with the product or recommended by the manufacturer. Refer to *Approved battery chargers on page 39*.



CAUTION: Charge the battery in conditions where temperatures are between 0 °C/ +32 °F– +40 °C/ +104 °F.



CAUTION: The charge process is possible when the temperature of the battery is in the permitted charge temperature range +5 °C/ +41 °F– +40 °C/ +104 °F. The charge does not start when the temperature of the battery is higher or lower than the permitted charge temperature range. When the temperature of the battery is in the permitted charge temperature range, the charge automatically starts.



CAUTION: Use the product in conditions where the ambient temperature is between 0 °C/ +32 °F– +40 °C/ +104 °F.



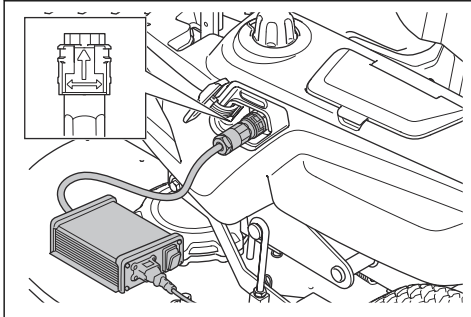
CAUTION: Do not put the battery charger on heat sensitive surfaces.

Note: The temperature of the battery charger increases when the battery is charging.

Note: The battery can go into sleep mode when the product is in storage or the state of charge is very low. To start the battery, the start button must be pushed for 2 seconds. If the battery does not start it must be

charged continuously until it is fully charged. The charge time is longer when the battery is in sleep mode.

1. Connect the battery charger to a grounded mains socket and to the product.

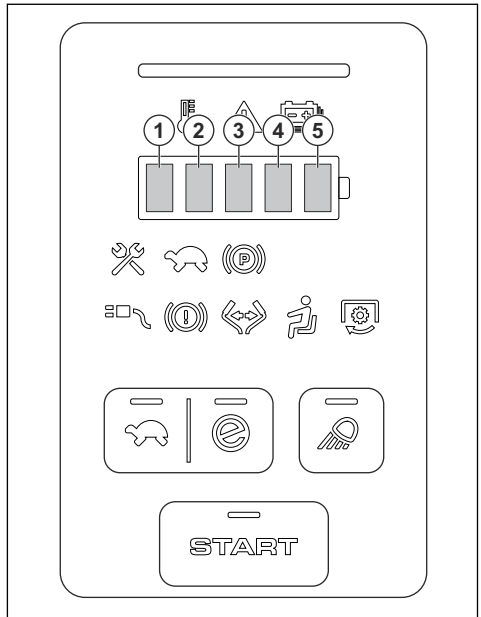


2. Set the battery charger ON/OFF switch (if equipped) to ON.
3. Wait until the battery is fully charged. The battery is fully charged when all the battery LED lights are solid. Refer to *Battery indication* on page 16.
4. Set the charger ON/OFF switch (if equipped) to OFF before you disconnect the battery charger.

Note: A second battery can be installed in the product. Speak to your Husqvarna dealer for installation.

Battery indication

The battery indicator on the user interface shows the state of charge when the product is activated.

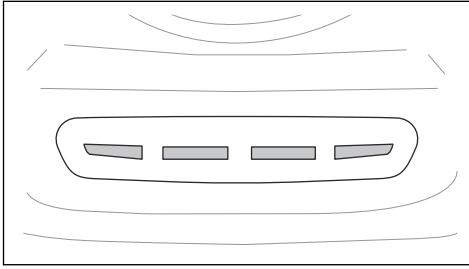


Battery indicator on the user interface	State of charge
All 5 LED lights are solid.	The battery is 81%–100% charged.
LED light 1–4 are solid.	The battery is 61%–80% charged.
LED light 1–3 are solid.	The battery is 41%–60% charged.
LED light 1–2 are solid.	The battery is 21%–40% charged.
LED light 1 is solid.	The battery is 8%–20% charged.
LED light 1 flashes.	The battery is 1%–7% charged.
All 5 LED lights are off.	The battery is 0% charged.

When the battery is low, the product is automatically set to Decreased performance mode. The first LED light flashes and the Decreased performance mode indicator comes on. The product operates at lower speed and the blades stop to save power. It is possible to operate the

product in Decreased performance mode. Charge the battery as soon as possible.

When a charger is connected, 4 LEDs above the socket for the battery charger show the state of charge.



Note: All 4 LEDs come on momentarily when the battery charger is connected.



CAUTION: If no LEDs come on or if red LEDs flash when the battery charger is connected, there is an error. Look for warning symbols on the user interface. Disconnect the charger and refer to *Troubleshooting on page 28*.

When the battery is fully charged, all 4 LEDs are on.



CAUTION: If the charger is connected and the charger ON/OFF switch (if equipped) is set to OFF, all charge indicators will go off. Make sure that you disconnect the charger before you operate the product.

LEDs above the socket for the battery charger	State of charge
All 4 LEDs are on.	The battery is 76–100% charged.
LEDs 1–3 are on.	The battery is 51–75% charged.
LEDs 1–2 are on.	The battery is 26–50% charged.
LED 1 is on.	The battery is 0–25% charged.

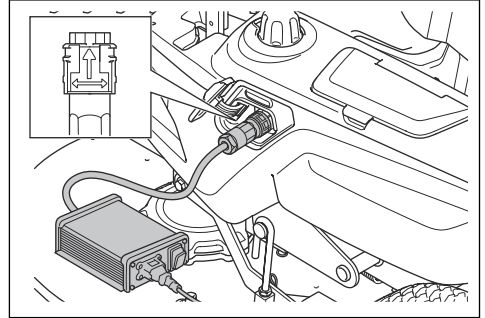
Note: If a charger is connected when the temperature of the battery is higher or lower than the permitted charge temperature range, the charge does not start. The 4 LEDs will have a solid yellow light. When the temperature of the battery is in the permitted charge temperature range, the charge automatically starts.

Note: If you use the product in cold temperatures, the operation time can decrease.

To disconnect the battery charger

Note: It is not possible to start the product when the battery charger is connected.

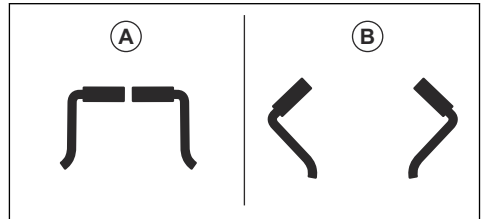
1. Set the charger ON/OFF switch (if equipped) to OFF.
2. Turn the charger plug to disconnect the battery charger.



To engage and disengage the parking brake

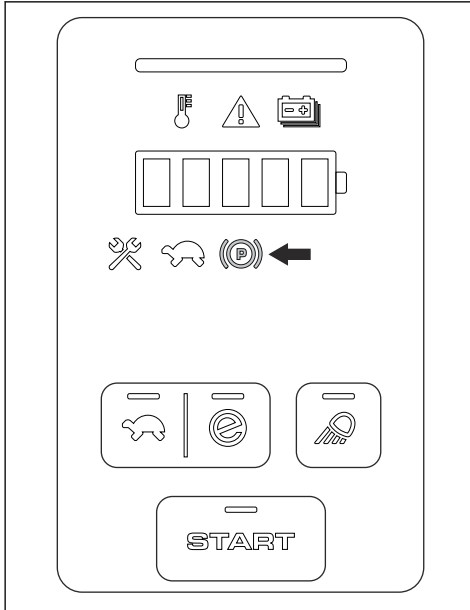
This product has no dedicated parking brake lever. The parking brake is integrated in the 2 control levers.

1. Let the 2 control levers move the neutral position (A) to stop the product.



Note: The product must be stationary when you engage the parking brake.

2. Push the 2 control levers in the direction of the sides (B) of the product. The parking brake engage when the 2 control levers are in the correct position at the same time. A parking brake symbol shows on the user interface when the parking brake is engaged.



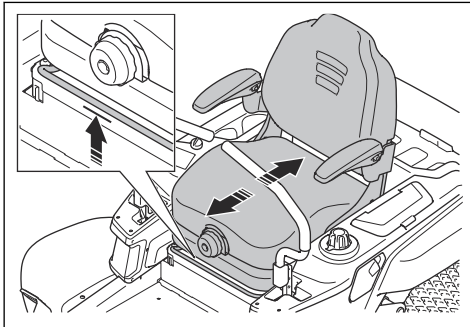
3. Pull the 2 control levers in the direction of the seat to disengage the parking brake.

To adjust the seat position

The position of the seat can be moved forward or rearward and the suspension of the seat can be adjusted.

Note: Do not make adjustments to the seat when the product is in operation.

1. Put your feet on the footrest plates.
2. Push up the lever below the front edge of the seat.



3. Move the seat to the correct position and release the lever.

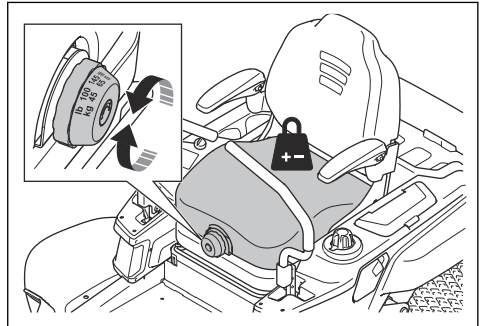
To adjust the seat suspension

The position of the seat can be moved forward or rearward and the suspension of the seat can be adjusted.

Note: Do not make adjustments to the seat when the product is in operation.

Note: Use the scale on the seat adjustment knob to adjust the seat to your weight or the wanted seat suspension.

- Turn the adjustment knob for the seat suspension clockwise to increase the seat suspension.

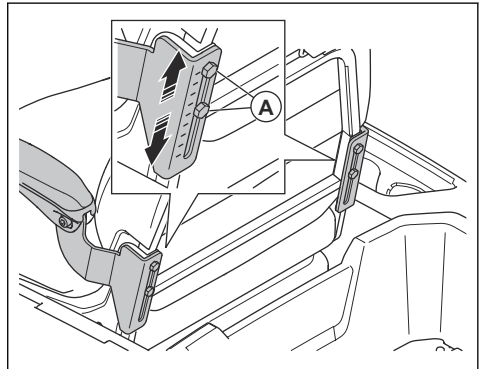


- Turn the adjustment knob for the seat suspension counter clockwise to decrease the seat suspension.

To adjust the armrests

Note: Make sure that the 2 armrests are adjusted to the same height.

1. Loosen the 2 screws (A) on the armrest bracket.
2. Move the armrest up or down until it is in position.



3. Hold the armrest in position and tighten the screws.

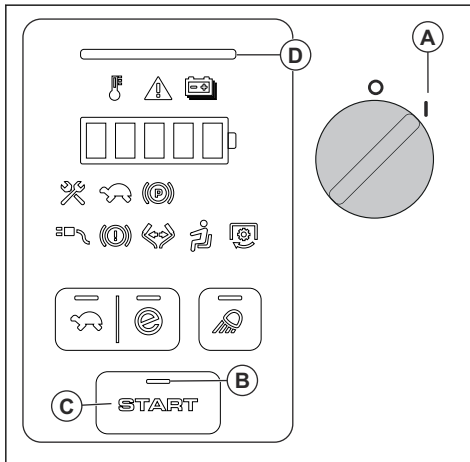
To start the product

1. Make sure that the discharge chute is in the operation position. Refer to *To set the discharge chute in the operation position before first use on page 14*.



WARNING: Do not operate the cutting deck with the discharge chute folded up.

2. Disconnect the cable to the battery charger. Refer to *To disconnect the battery charger on page 17*.
3. Make sure that the electric parking system is engaged. Refer to *To move the product manually on page 33*.
4. Make sure that the parking brake is engaged. Refer to *To engage and disengage the parking brake on page 17*.
5. Put the cutting deck in the highest position. Refer to *To set the cutting height on page 19*.
6. Make sure that the cutting deck is disengaged. Refer to *To engage and disengage the cutting deck on page 19*.
7. Sit in the seat in work position.
8. Set the power switch to the on (I) position (A). The start indicator (B) flashes and the product is set to idle mode.



Note: The battery can go into sleep mode when the product is in storage or if the state of charge is very low. If the battery is in sleep mode, nothing happens when you set the power switch to the on (I) position. To start the battery, push the start button for 2 seconds. If the battery does not start, it must be charged continuously until it is fully charged. The

charge time is longer when the battery is in sleep mode.

9. Push the start button (C) for 2 seconds. The start indicator (B) and the start indicator bar (D) comes on and you hear a sound. This shows that drive mode is on.

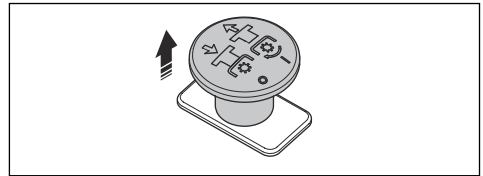
Note: There is no sound if the sound is set to off. Refer to *To set the sound to on or off on page 21*.

To engage and disengage the cutting deck

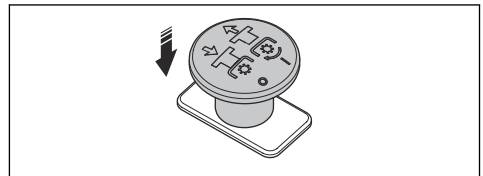


WARNING: Do not operate the cutting deck without a deflector or other accessory installed to the grass discharge.

- Pull out the PTO button to engage the cutting deck.

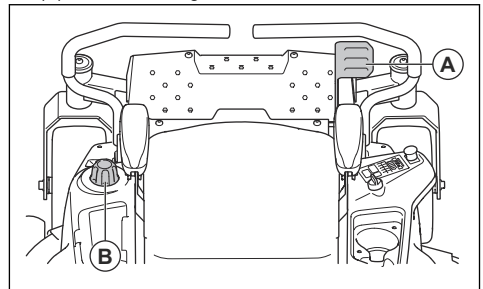


- Push in the PTO button to disengage the cutting deck.



To set the cutting height

1. Stop the product. Refer to *To stop the product on page 21*.
2. Push and hold the pedal for cutting height selection (A) to lift the cutting deck.



- Turn the knob for cutting height selection (B) to select a cutting height. Turn the knob for cutting height selection clockwise to increase the cutting height and counter clockwise to decrease the cutting height.

Note: The knob for cutting height selection have 12 settings between 1–4.5 in. / 25–114 mm.

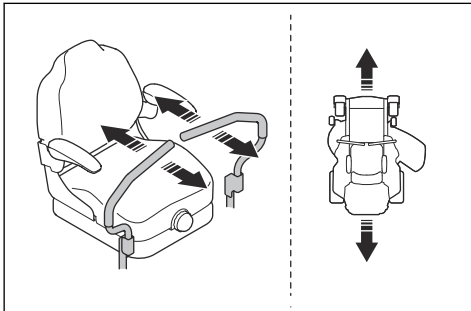
- Release the pedal for cutting height selection.

To operate the product

Note: If it is necessary to move the product with the motor off, you must disengage the electric parking brake system. Refer to *To move the product manually on page 33*.

Note: The product is set to idle mode if the operator is lifted from the seat. You hear a sound if the product is set to idle mode. There is no sound if the sound is set to off. Refer to *To set the sound to on or off on page 21*.

- Start the product. Refer to *To start the product on page 19*.
- Disengage the parking brake. Refer to *To engage and disengage the cutting deck on page 19*.
- Carefully push the 2 control levers forward to start a forward movement. The forward speed increases the more you push the 2 control levers forward.



CAUTION: Do not push or pull hard on the control levers. Do not move the control levers faster than the speed in which the control levers return to the neutral position if you release the control levers.

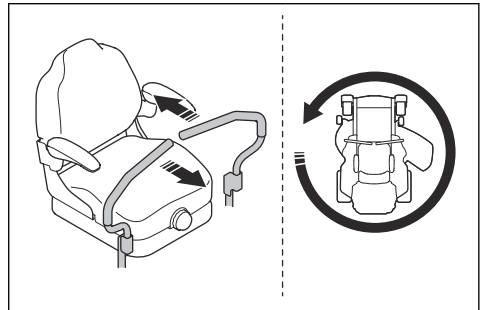
- Carefully pull the 2 control levers rearward to start a rearward movement. The rearward speed increases the more you pull the 2 control levers rearward.
- Release the forward or rearward pressure on the 2 control levers to decrease the speed and stop the product.

Note: The 2 control levers are automatically set to neutral position when you release the forward or rearward pressure.

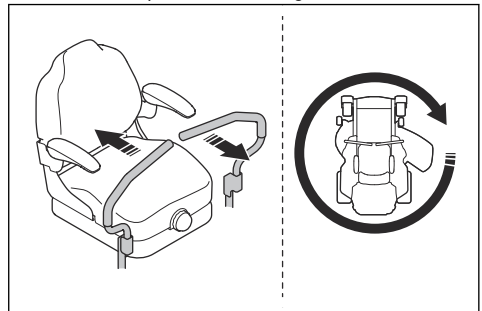
- Do the steps that follow to turn left or right when you go in a forward direction.

Note: To turn the product when you go in a rearward direction, move the control levers in the opposite direction.

- To turn left: Keep the right control lever in forward position and release the forward pressure on the left control lever. The more you let the left control lever move rearward, the more the product will turn left.



- To turn right: Keep the left control lever in forward position and release the forward pressure on the right control lever. The more you let the right control lever move rearward, the more the product will turn right.



- Do the steps that follow to make a zero turn.

- Release the forward pressure on the 2 control levers to decrease the speed and stop the product.
- Move 1 control lever slightly forward and the other control lever slightly rearward to make a zero turn.

- Select the correct cutting height. Refer to *To set the cutting height on page 19*.

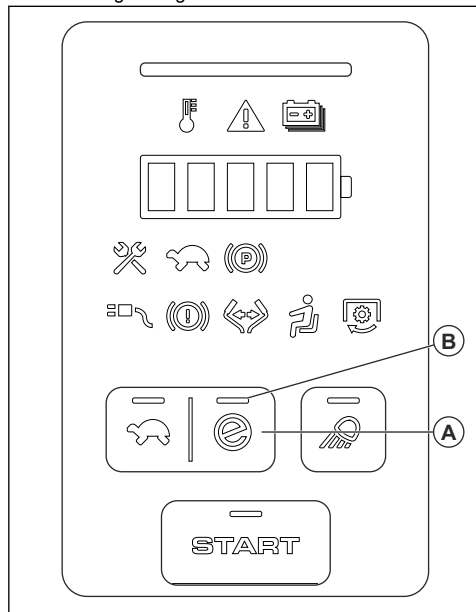
- Engage the cutting deck. Refer to *To engage and disengage the cutting deck on page 19.*

Drive mode

To use the SavE function

The product has a battery save function (SavE) that gives longer operation time. The SavE function decreases the speed of the blades.

- To start the SavE function, push the SavE button (A). The SavE indicator (B) comes on with a constant green light.

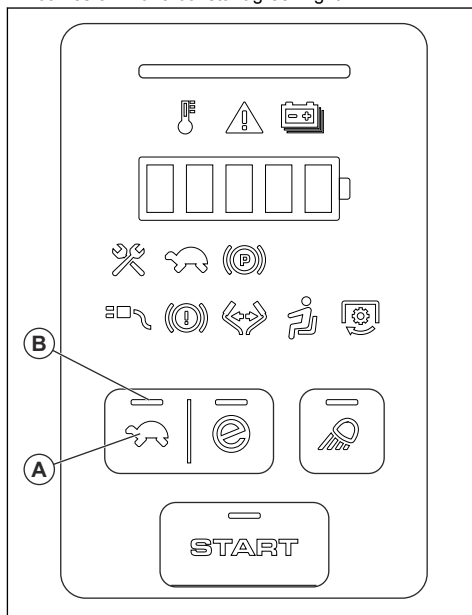


- To stop the SavE function, push the SavE button (A). The SavE indicator (B) goes off.

To use the precision mode function

The product has a precision mode that decreases the speed of the product. Use the precision mode to cut grass with precision in small areas.

- To start the precision mode, push the precision mode button (A). The precision mode indicator (B) comes on with a constant green light.



- To stop the precision mode, push the precision mode button (A). The precision mode indicator (B) goes off.

To set the sound to on or off

Note: When the sound is set to off, there is no notification sounds for:

- When you start the product and drive mode comes on.
 - When the product is set to idle mode because the operator is lifted from the seat.
 - Errors.
- Push the SavE button and the work light button for 5 seconds to set the sound to on or off. You hear a sound when the sound is set to on or off.

To reset the service indicator

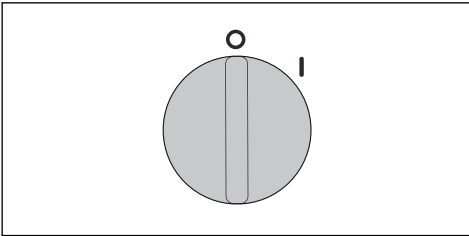
Note: The service indicator comes on after the cutting deck has been activated for 50 hours.

- To reset the service indicator, press the precision mode button and the work light button for 5 seconds.

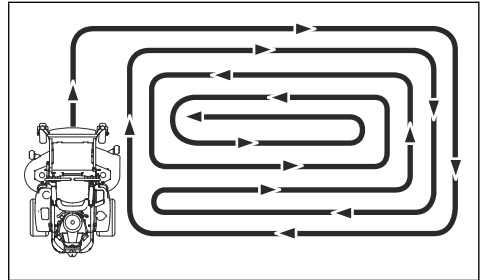
To stop the product

- Release the forward pressure on the 2 control levers to decrease the speed and stop the product.

2. Engage the parking brake. Refer to *To engage and disengage the parking brake on page 17.*
3. Disengage the cutting deck. Refer to *To engage and disengage the cutting deck on page 19.*
4. Set the power switch to the off (O) position.



- Use the SavE function if longer operation time is necessary.
- Use the precision mode if the area is small and more precision is necessary.
- Cut the grass in an irregular pattern.
- When you cut large areas, move the product to the right during 1 or 2 turns around the work area. This procedure will keep the grass discharge away from shrubs, fences and driveways. After approximately 2 turns around the work area, cut in the opposite direction.



- When the mulch kit is used, cut the grass more frequently.
- To get the best cutting result, cut the grass frequently.

To get a good cutting result

- For best performance, do maintenance on the product regularly as given in the maintenance schedule. Refer to *Maintenance schedule on page 22.*
- Do not cut a wet lawn. Wet grass can give a bad cutting result.
- Start with a high cutting height and decrease it gradually.
- Use the standard drive mode. If the grass is high and thick, move the product forward at low speed.

Maintenance

Introduction



WARNING: Before you do any maintenance work you must read and understand the safety chapter.

Maintenance schedule

Daily maintenance before use
Make sure that nuts and screws are tightened.
Clean the product and the inner surfaces of the cutting deck.
Make sure that the control levers can move freely. Clean the area around the control levers if it is necessary.
Make sure that the safety devices are not broken.
Examine the blades in the cutting deck.
Make sure that the tire pressure is correct.

X = The instructions are given in this operator's manual.

O = The instructions are not given in this operator's manual. Let an Husqvarna servicing dealer do the maintenance.

Maintenance	Each 50 h or yearly
Clean the screen on the cover of the electronic box.	X
Clean the outer and inner surface of the cutting deck and around the blades.	X
Make sure that the tire pressure is correct.	X
Connect the product to Husqvarna Service Hub (HSH) and do an update of the firmware and a calibration if it is necessary.	O
Charge the battery to a minimum of 80 %.	O
Make sure that nuts and screws are tightened to the correct torque.	O
Do an inspection, lubricate and adjust all wires.	O
Lubricate the deck lift pedal.	O
Lubricate the height adjustment mechanism.	O
Lubricate the attachment points of the cutting deck.	O
Lubricate the pivot wheels.	O
Examine the blades. Sharpen and balance the blades if it is necessary.	O
Do a check of and adjust the parallelism of the cutting deck.	X
Do a check of the blade engagement and the OPC switch.	O
Do a check of the forward drive and rearward drive on different speeds.	O

To clean the product



CAUTION: Do not use a high-pressure washer or a steam cleaner. Water can go into bearings and electrical connections and cause corrosion which causes damage to the product.

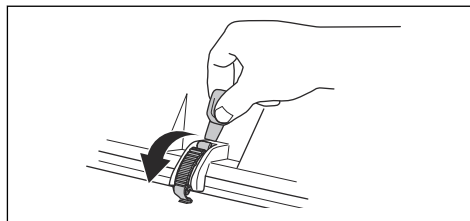
Clean the product immediately after use.

- Before you clean with a wet cloth, clean with a brush. Remove grass and dirt from the propulsion system.
- Clean the air intake for the cooling fan of the motor control unit for the drive motor. Refer to *To clean the screen on the cover of the electronic box on page 23*.
- Clean the air intakes for the cooling fans of the motor control units for the cutting deck motors. Refer to *To clean the screen on the cover of the electronic box on page 23*.
- Use a wet cloth to clean the product.
- Do not use water on electrical components or bearings. Detergent usually increases the damage.
- Make sure that the battery and battery charger are clean before you connect the battery charger to the product.

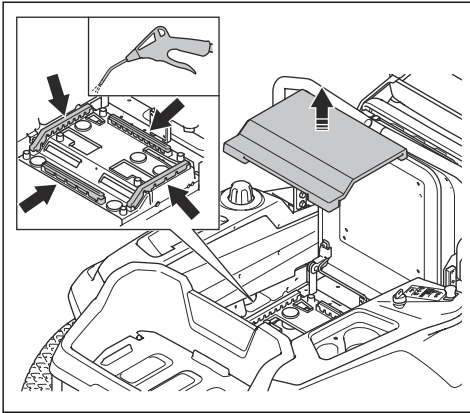
- Clean the top of the cutting deck and below the cutting deck.
- When the product is clean, start the cutting deck for a short period to blow off remaining water.

To clean the screen on the cover of the electronic box

1. Make sure that the battery charger is disconnected from the product. Refer to *To disconnect the battery charger on page 17*.
2. Set the power switch in the off (O) position and remove the power switch key.
3. Tilt the seat forward.
4. Release the 2 clips on the top cover of the electronic box.



- Remove the top cover of the electronic box.



- Carefully remove grass and dirt.
- Remove the 4 filters.
- Clean the 4 filters with compressed air.
- Clean the 4 filters with a weak detergent.
- Let the 4 filters become dry.
- Examine the 4 filters. Replace the filters if it is necessary.
- Install in the opposite sequence.

To do a check of the parking brake

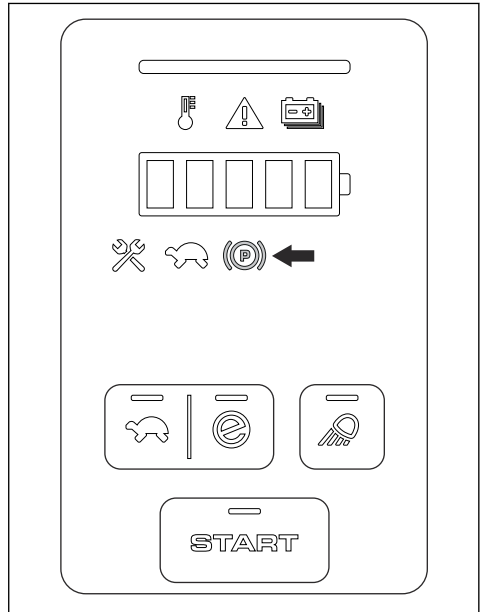
- Park the product on a hard surface that slopes maximum 10°. Keep the product on.



WARNING: Do not park the product on a grass slope when you do a check of the parking brake.

- Engage the parking brake. Refer to *To engage and disengage the parking brake on page 17*.

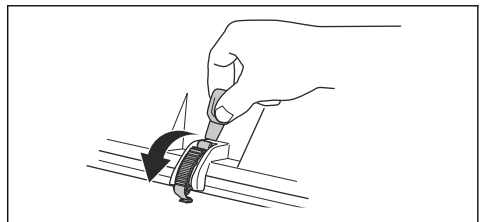
- Make sure that the parking brake indicator shows on the user interface and that the product does not move. If the product moves, speak to your Husqvarna servicing dealer.



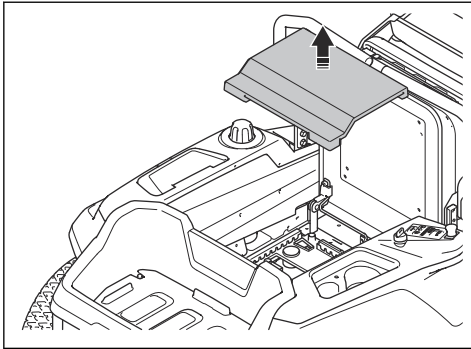
To replace the fuse for the connector board

A broken fuse for the connector board is identified by a burned fuse wire.

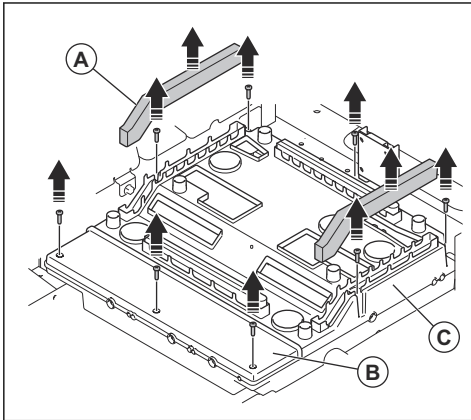
- Make sure that the battery charger is disconnected from the product. Refer to *To disconnect the battery charger on page 17*.
- Set the power switch in the off (O) position and remove the power switch key.
- Tilt the seat forward.
- Release the 2 clips on the top cover of the electronic box.



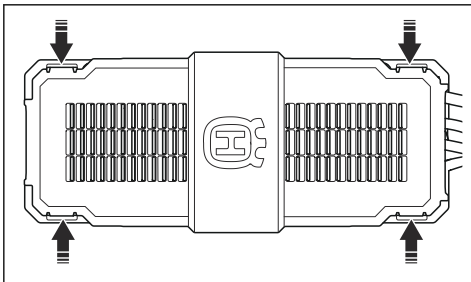
5. Remove the top cover of the electronic box.



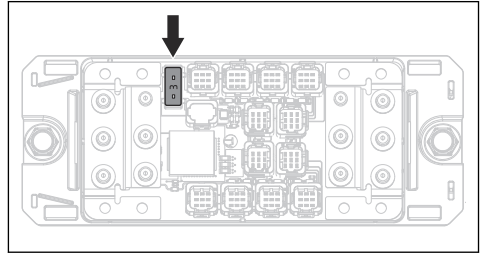
6. Remove the 2 filters (A).
7. Remove the 8 screws and the 2 covers (B and C) of the electronic box.



8. Push the 4 clips and remove the cover from the connector board.



9. Pull out the fuse for the connector board from its holder.



10. If the fuse is broken, replace the fuse with a new fuse of the same type. Refer to *Technical data on page 37*.
11. Install in the opposite sequence.

Note: If the fuse for the connector board breaks again a short period of time after you replace it, speak to your Husqvarna servicing dealer.

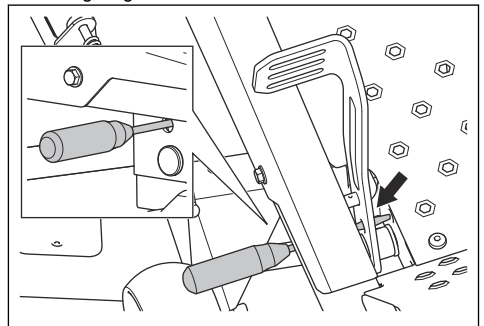
Tire pressure

Make sure that the tire pressure is correct in all 4 tires. Refer to *Technical data on page 37*.

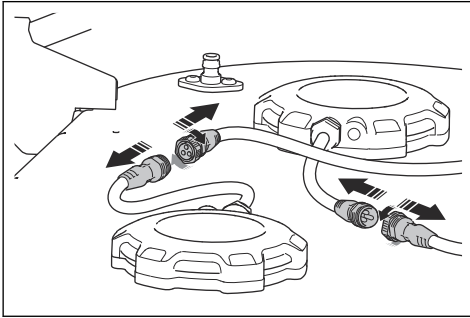
Cutting deck

To remove and install the cutting deck

1. Disengage the cutting deck and stop the product.
2. Engage the parking brake.
3. Set the power switch in the off (O) position and remove the power switch key.
4. Put the cutting deck in the lowest position.
5. Put a large screwdriver through the bracket of the deck lift pedal and through the hole on the pedal for cutting height selection.



6. Loosen the nuts on the 2 connectors and disconnect the 2 cables from the cutting deck.



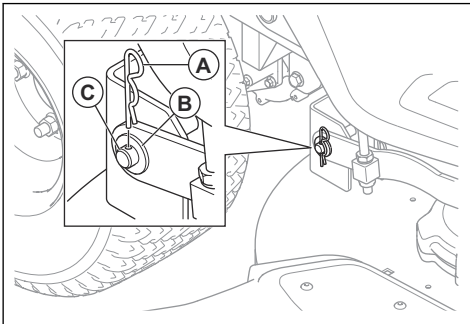
CAUTION: Make sure that the power switch is set to the off (O) position and the power switch key is removed. Risk of damage to electrical components.

7. Disconnect the 2 rear links. There is one rear link on the left side and one rear link on the right side of the product.



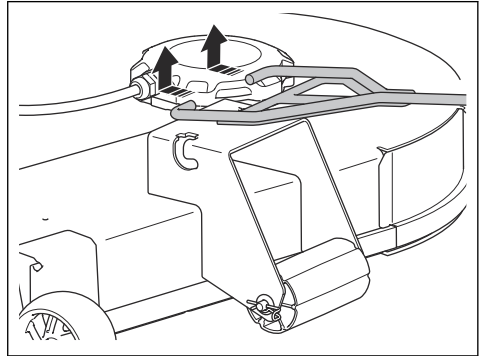
WARNING: The cutting deck is heavy. Use a crowbar or equivalent below the cutting deck to hold the weight of the cutting deck when you disconnect the 2 rear links.

- a) Remove the clip (A), the washer (B) and the pin (C) on the left and the right side.



- b) Move the cutting deck until the rear links are disconnected on the left and right side of the cutting deck.
8. Disconnect the front link.
- a) Push the cutting deck forward until the rods on the front link goes through the slots on the bracket on the cutting deck.

- b) Disconnect the rods of the front link from the bracket on the cutting deck.

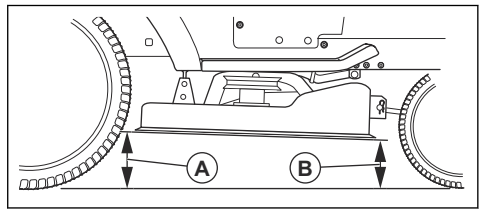


9. Put the cutting deck in the highest position.
10. Remove the cutting deck from the product.
11. Install the cutting deck in the opposite sequence.

To adjust the parallelism of the cutting deck

This procedure will set the cutting deck in a standard position.

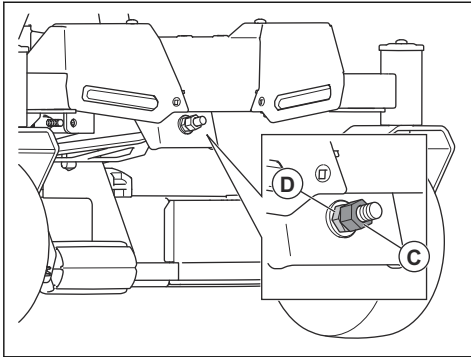
1. Make sure that the tire pressure is correct in all 4 tires. Refer to *Technical data on page 37*.
2. Park the product on a level surface.
3. Engage the parking brake.
4. Set the power switch in the off (O) position and remove the power switch key.
5. Put the cutting deck in the highest position.
6. Measure the distance from the bottom edge of the cutting deck to the ground at the rear (A) and at the front (B) on the left side and on the right side. The distance at the front must be 5 mm lower than at the rear.



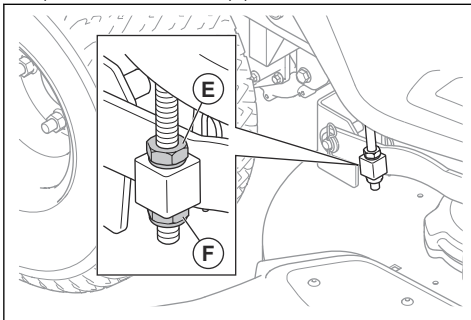
WARNING: The blades on the cutting deck are sharp and can cause injury. Use protective gloves.

7. Do the steps that follow to make a front adjustment.

- a) Loosen the locknut (C).



- b) Turn the adjustment nut (D) counterclockwise to lower the front of the cutting deck.
 c) Turn the adjustment nut (D) clockwise to lift the cutting deck.
 d) Tighten the locknut (C) when the front adjustment is complete.
8. Do the steps that follow to make rear adjustments. There are adjustment nuts on the left side and on the right side of the product.
- a) Loosen the locknut (E).



- b) Turn the adjustment nut (F) counterclockwise to lower the rear of the cutting deck.
 c) Turn the adjustment nut (F) clockwise to lift the rear of the cutting deck.
 d) Tighten the locknut (E) when the front adjustment is complete.

9. Measure the distances again to make sure that the cutting deck has been adjusted correctly.

To examine the blades

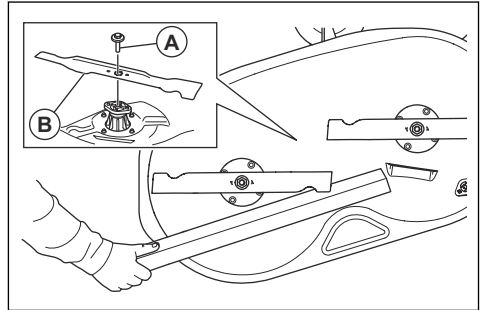


CAUTION: Damaged or incorrectly balanced blades can cause damage to the product. Replace damaged blades. Let an Husqvarna servicing dealer help you sharpen and balance blunt blades.

1. Remove the cutting deck. Refer to *To remove and install the cutting deck on page 25*.
2. Look at the blades to see if they are damaged and if it is necessary to sharpen them.

To replace the blades

1. Remove the cutting deck. Refer to *To remove and install the cutting deck on page 25*.
2. Lock the blade with a wooden block.



3. Remove the bolt (A) and the blade (B).
4. Install the new blades. Make sure that the bent ends on the blades point up.



WARNING: Incorrect blade type can cause objects to eject from the cutting deck and cause serious injury. Use only the blades given in *Technical data on page 37*.

5. Tighten the bolts to 93 Nm.
6. Install the cutting deck. Refer to *To remove and install the cutting deck on page 25*.

Troubleshooting

Troubleshooting schedule

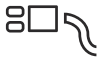




Problem	Cause	Action
The user interface does not come on when the power switch is set to position "I".	The battery is empty.	Charge the battery. Refer to .
	The battery is in sleep mode.	To start the battery, push the start button for 2 seconds. If the battery does not start, it must be charged continuously until it is fully charged. The charge time is longer when the battery is in sleep mode.
	The fuse for the connector board is broken.	Replace the fuse for the connector board, refer to <i>To replace the fuse for the connector board on page 24</i> . Speak to your Husqvarna servicing dealer if the problem continues.
	The user interface, or the cable to the user interface, is broken.	Speak to your Husqvarna servicing dealer.
	The power switch is broken.	
Drive mode does not start when you push the start button.	Incorrect start procedure.	Make sure that you use the correct start procedure. Refer to <i>To start the product on page 19</i> .
	The start button is pushed for less than 2 seconds.	Push the start button for 2 seconds. A indicator on user interface shows that drive mode is on.
	The control panel is broken.	Speak to your Husqvarna servicing dealer.








Problem	Cause	Action
The cutting deck motors do not start.	The cutting deck is not engaged.	Engage the cutting deck. Refer to <i>To engage and disengage the cutting deck on page 19.</i>
	The cables to the cutting deck is not connected correctly.	Connect the cutting deck to the product. Refer to <i>To remove and install the cutting deck on page 25.</i>
	The cutting deck is full of grass.	Clean the cutting deck. Refer to <i>To clean the product on page 23.</i>
	The grass is too high.	Adjust the cutting height to the grass conditions.
	The temperature of the control units for the cutting deck motors is too high.	Stop the product and wait for the temperature to decrease. Restart after 20 minutes.
	There is an error in the cutting deck.	Disengage the cutting deck. If the problem continues, stop the product and set the power switch in the off (O) position. Wait 5 minutes before you start the product again. Speak to your Husqvarna servicing dealer if the problem continues.
		Do troubleshooting in the user interface. Refer to <i>User interface – Troubleshooting on page 31.</i>
	The battery is low and the blades have stopped to save power. Refer to <i>Battery indication on page 16.</i>	Charge the battery. Refer to <i>To disconnect the battery charger on page 17.</i>
	The cutting deck motors are broken.	Speak to your Husqvarna servicing dealer.
The control units for the cutting deck motors are broken.		
There is no power in the cable to the cutting deck.		
The battery does not charge. The LEDs above the socket for the battery charger do not come on.	The battery charger is not correctly connected to the mains outlet or to the product.	Make sure that the battery charger is connected correctly. Refer to .
	The ON/OFF switch (if equipped) on the battery charger is set to OFF.	Set the ON/OFF switch (if equipped) on the battery charger to ON.
	The battery charger is broken.	Disconnect the battery charger and speak to your Husqvarna servicing dealer.
	There is an internal error.	
	The mains outlet is broken.	Put the battery charger plug into a mains outlet that has the voltage and frequency that is specified on the rating plate.



Problem	Cause	Action
The battery does not charge. The LEDs above the socket for the battery charger flash red.	The temperature is not in the charge temperature range.	Wait until the battery temperature is in the permitted charge temperature range. Refer to . Look for warning symbols on the user interface. Refer to <i>User interface overview on page 4</i> and <i>User interface – Troubleshooting on page 31</i> .
	The battery is broken.	Disconnect the battery charger and speak to your Husqvarna servicing dealer.
	There is an internal error.	
The battery does not charge. The LEDs above the socket for the battery charger show the state of charge in yellow.	The battery temperature is higher or lower than the permitted charge temperature range.	Make sure that the charger and the product is in a location that is in the permitted charge temperature range. Refer to . If the charger is connected, the charge starts automatically when the battery temperature is in the permitted charge temperature range. If the problem continues, speak to your Husqvarna servicing dealer.
The operation time is not increased after a second battery is installed.	The second battery is not correctly installed in the product.	Speak to your Husqvarna servicing dealer.
There is vibration in the product when the cutting deck is engaged.	The blades are loose or damaged.	Examine the blades. Refer to <i>To examine the blades on page 27</i> . If the problem continues, speak to your Husqvarna servicing dealer.
	One or more blades are incorrectly installed or not balanced.	
	A cutting deck motor is loose.	
There is vibration in the product when the cutting deck is disengaged.	One or more wheels are loose.	Do a visual inspection. Speak to your Husqvarna servicing dealer if the problem continues.
	The product has a flat tire.	
	There are loose screws in the product.	
	The drive motor is loose.	

Problem	Cause	Action
The cutting result is unsatisfactory.	The blades are blunt.	Examine the blades for wear and damage. Refer to <i>To examine the blades on page 27</i> .
	The grass is long or wet.	Refer to <i>To get a good cutting result on page 22</i> .
	The parallelism of the cutting deck is not correct.	Adjust the parallelism of the cutting deck. Refer to <i>To adjust the parallelism of the cutting deck on page 26</i> .
	There is grass blockage in the cutting deck.	Clean the cutting deck. Refer to <i>To clean the product on page 23</i> .
	There is grass blockage in the center chute (if applicable).	Remove the grass blockage in the center chute.
	The air holes in the cutting deck are clogged.	Clean the cutting deck. Refer to <i>To clean the product on page 23</i> .
	The tire pressure is different on the right and left sides.	Make sure that the tire pressure is correct in all tires. Refer to <i>Technical data on page 37</i> .
	The product is operated at too high speed.	Refer to <i>To get a good cutting result on page 22</i> .
	The motor speed is too low.	Refer to <i>To get a good cutting result on page 22</i> .

User interface – Troubleshooting

Symbol	Name	Shows on the user interface	Cause/action
	Charging cable connected indicator	The symbol flashes 5 times.	Start is prevented because the charger is connected. Disconnect the charger from the product before start. Refer to <i>To disconnect the battery charger on page 17</i> .
	Indicator for electric parking brake system disengaged	The symbol flashes 5 times.	Start is prevented because the electric parking brake system is disengaged. Engage the electric parking brake system before start. Refer to <i>To move the product manually on page 33</i> .
	Parking brake disengaged indicator	The symbol flashes 5 times.	Start is prevented because the parking brake is disengaged. Engage the parking brake before start. Refer to <i>To engage and disengage the parking brake on page 17</i> .
	Operator presence control (OPC) indicator	The symbol flashes 5 times.	Start is prevented because the operator is lifted from the seat. The operator must sit in the seat when the product starts. Refer to <i>Operation conditions on page 12</i> .
	Blades engaged indicator	The symbol flashes 5 times.	Start is prevented because the cutting deck is engaged. Disengage the cutting deck before start. Refer to <i>To engage and disengage the cutting deck on page 19</i> .

Symbol	Name	Shows on the user interface	Cause/action
	Temperature indicator	The symbol flashes.	The temperature in the drive motor, the drive motor controllers, the cutting deck motor or in the controllers for the cutting deck motor. Wait for the temperature to decrease. Speak to your Husqvarna servicing dealer if the problem continues.
	Warning indicator	The symbol shows.	There is a system error on the product. Set the power switch to the off (O) position. Wait for 5 minutes. Speak to your Husqvarna servicing dealer if the problem continues.
	Battery temperature indicator	The symbol flashes.	The battery temperature is higher than recommended. Stop the product and set the power switch to the off (O) position. Wait for the battery temperature to decrease before you start the product again. Speak to your Husqvarna servicing dealer if the problem continues.
	Service indicator	The symbol shows.	Servicing is necessary. Speak to your Husqvarna servicing dealer.
	Decreased performance mode indicator	The symbol comes on	The product is automatically set to Decreased performance mode. The level of charge is low and/or the temperature of the product or battery is too high. The product operates at lower speed and the blades stop to save power. Refer to the combination of symbols for more information.
	Decreased performance mode, low level of charge	The Decreased performance mode indicator comes on, the first LED light on the battery indicator flashes.	Decreased performance mode is on because the level of charge is low. The product operates at lower speed and the blades stop to save power. It is possible to operate the product in Decreased performance mode. Charge the battery as soon as possible.
	Decreased performance mode, high product temperature	The Decreased performance mode indicator comes on, the temperature indicator flashes.	Decreased performance mode is on because the product temperature is too high. The product operates at lower speed and the blades stop to save power. Stop the product and set the power switch to the off (O) position. Wait for the product temperature to decrease before you start the product again.

Symbol	Name	Shows on the user interface	Cause/action
	Decreased performance mode, high battery temperature	The Decreased performance mode indicator comes on, the temperature indicator and the battery indicator flash.	Decreased performance mode is on because the battery temperature is too high. The product operates at lower speed and the blades stop to save power. Stop the product and set the power switch to the off (O) position. Wait for the battery temperature to decrease before you start the product again.
	Parking brake engaged indicator	The symbol shows.	The electric parking brake is engaged.

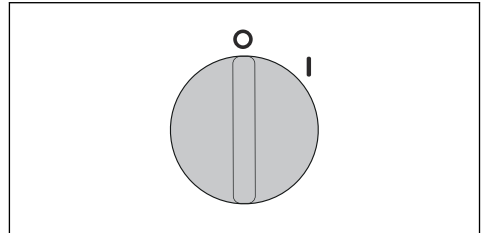
Transportation, storage and disposal

Transportation

- Use full width ramps when you load the product onto or off a vehicle or trailer.
- The product is heavy and can cause crush injuries. Be careful when you load it onto or off a vehicle or trailer.
- Do not lift the product. The anchor points are not approved lifting points and must only be used to attach the product to a trailer.
- Use an approved trailer for transportation of the product.
- Make sure that you have knowledge of local road traffic regulations before transportation of the product in a trailer or on roads.
- To make it easier to load the product onto a trailer, put the cutting deck in the highest position.

To move the product with the motor off, the electric parking brake system must be disengaged. The lever for the electric parking brake system is behind the right rear wheel.

1. Set the power switch to the off (O) position.



To move the product manually



WARNING: Before you operate the product, make sure that the electric parking brake system is engaged.

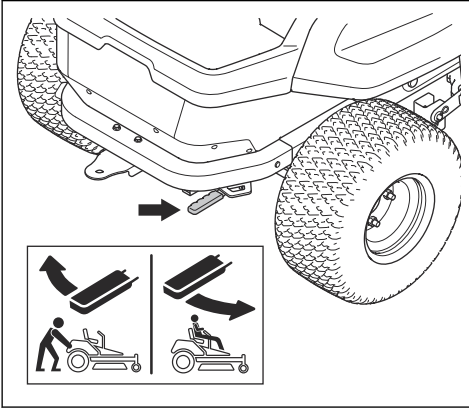


CAUTION: Do not push the product longer than necessary or at a speed higher than 6 km/h.



CAUTION: Do not tow the product.

2. Move the lever to the left to disengage the electric parking brake system.



3. Move the product manually.
4. Before you operate the product, move the lever to the right to engage the electric parking brake system.

To safely attach the product on a trailer for transport

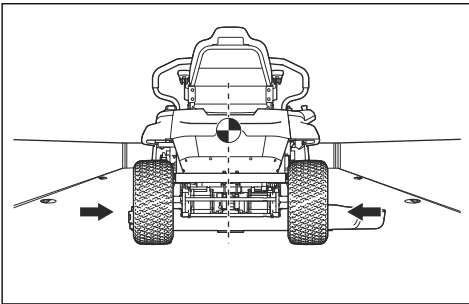
Before you attach the product, you must read and understand the safety chapter. Refer to *Safety on page 7*.



WARNING: The parking brake is not sufficient to lock the product during transport. Attach the product tightly to the load area.

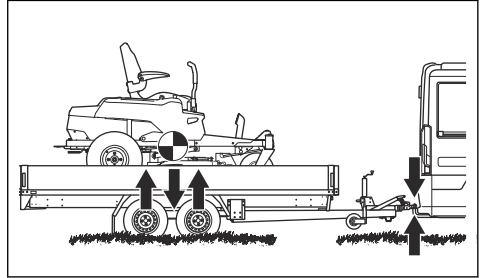
Equipment: 4 approved straps and 4 wheel chocks.

1. Park the product in the center of the load area.

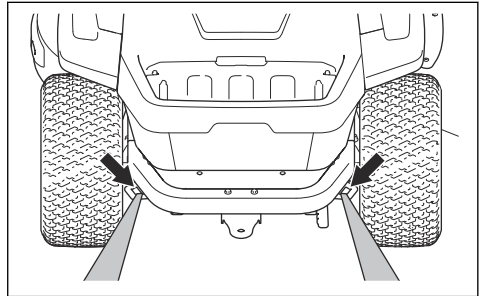


WARNING: For transport in transport vehicles with a cover. Make sure that the product is cool before you put the product in the transport vehicle.

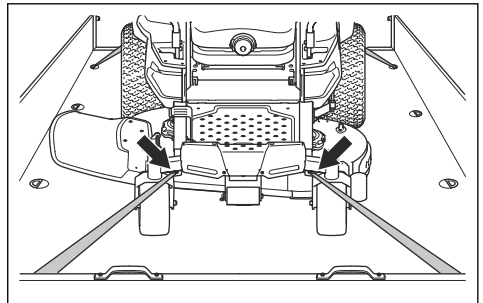
2. Make sure that the center of gravity of the product is above the wheel axle of the transport vehicle. If a trailer is used for transport, make sure that the down force on the tow bar is correct.



3. Engage the parking brake.
4. Lower the cutting deck to the lowest position.
5. Remove all loose objects.
6. Put the first strap through the first of the 2 rear transport eyelets.

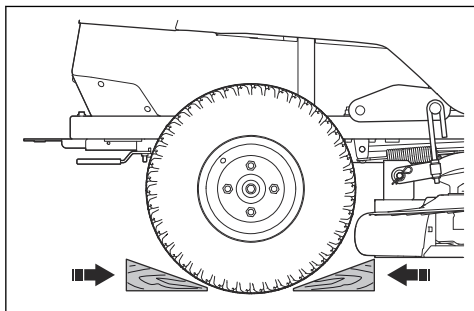


7. Put the second strap through the second of the 2 rear transport eyelets.
8. Attach the straps to the load area.
9. Tighten the straps rearward to attach the product to the load area.
10. Attach the third strap to the first of the 2 front transport eyelets.



11. Attach the fourth strap to the second of the 2 front transport eyelets.
12. Attach the strap to the load area.

13. Tighten the strap forward to attach the product to the load area.
14. Put the wheel chocks in front of and behind the rear wheels.



Transportation of batteries

- The supplied 58 V batteries obey the requirements of the Dangerous Goods Legislation.
- Obey the special requirement for packaging and labels for commercial transportation by third parties and forwarding agents.
- Speak to a person with special training in dangerous material before you send the product. Obey all applicable national regulations.
- Use tape on open contacts when you put the battery in a package. Put the battery in a tight package to prevent movement.

Storage

Prepare the product for storage at the end of the season and before more than 30 days of storage.



WARNING: Remove grass, leaves and other flammable materials from the product to decrease the risk of fire. Let the product become cool before you put it in storage.

- Engage the parking brake. Refer to *To engage and disengage the parking brake on page 17*.
- Set the power switch to the off (O) position.
- Clean the product. Refer to *To clean the product on page 23*. Fill in paint damages to prevent corrosion.
- Examine the product for worn or damaged parts and tighten loose screws and nuts.
- Fully charge the battery before storage. Make sure that the charge of the batteries is 50 % or more during storage.

Note: The battery can go into sleep mode when the product is in storage or the state of charge is very low. To start the battery the start button must be pushed for 2 seconds. If the battery does not start, it must be charged continuously until it is fully charged.

The charging time is longer when the battery is in sleep mode.

- Lubricate all grease nipples, joints and axles.
- Keep the product in a clean and dry area. Put a protective cover on the product.

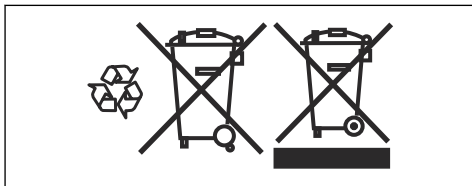
Note: A protective cover for protection of your product during storage or transport is available at your dealer.

- Keep the product indoor in a locked area to prevent access for children or persons that are not approved.
- Keep the product and the power supply in a dry and frost-free area.
- If you will use the product, keep the product in storage where the ambient temperature is between 0 °C/ +32 °F– +40 °C/ +104 °F. If you will not use the product, you can keep the product in storage where the ambient temperature is between -20 °C/ -4 °F– +50 °C/ +122 °F.
- Keep the product out of sunlight.
- Do not keep the product in areas where static electricity can occur.

Disposal of the battery and battery charger

Symbols on the product or its packaging indicate that this product cannot be handled as domestic waste. It must instead be submitted to an appropriate recycling station for the recovery of electrical and electronic equipment.

By ensuring that this product is taken care of correctly, you can help to counteract the potential negative impact on the environment and people that can otherwise result through the incorrect waste management of this product. For more detailed information about recycling this product, contact your municipality, your domestic waste service or the shop from where you purchased the product.



Disposal

- Chemicals can be dangerous and must not be discarded on the ground. Always discard used chemicals at a service center or an applicable disposal location.
- When the product is worn out, send it to the dealer or to an applicable recycling location.
- Oil and the battery can have negative effects on the environment. Obey the local recycling requirements and applicable regulations.

- Do not discard the battery as domestic waste.
- Send the battery to a Husqvarna servicing dealer or discard it at a disposal location for used batteries.

Technical data

Technical data

Z 245i	
Dimensions	Refer to <i>Product dimensions on page 40.</i>
Weight incl. cutting deck and 1 EM-5264Li battery, lb/kg	554.5/247
Weight incl. cutting deck and 2 EM-5264Li batteries, lb/kg	588.6/267
Tire pressure, front, kPa/bar/PSI	140/1.4/20
Tire pressure, rear, kPa/bar/PSI	97/0.97/14
Front tires, dimensions	11x6-5
Rear tires, dimensions	18x8.5-8
Max. gradient, degrees °	10
Max. tow equipment weight at 10 ° gradient, lb/kg	242.5/110
Max. permitted vertical force on the tow bar, N/lb/kg	250/55.1/25
Max. permitted horizontal force on the tow bar, N/lb/kg	190/41.9/19
Max. permitted load in the cargo bed, lb/kg	55/25
Drive motor	
Motor type	BLDC motor
Voltage, Nominal/max. V	50.4/58.8
Nominal motor output, kW	2x1.5
Max. motor speed, rpm	3300/min
Transmission	
Oil volume/transmission, oz./ml	3.7/110
Steering control	Dual levers, foam gripped
Max. forward speed, traction, mph/km/h	7/11.3
Max. reverse speed, traction, mph/km/h	3/4.8
Max. forward speed, cutting, mph/km/h	6/9.7
Max. reverse speed, cutting, mph/km/h	3/4.8
Max. forward speed, precision mode, mph/km/h	4/6.4
Max. reverse speed, precision mode, mph/km/h	3/4.8
Electrical system	
Type, Nominal	50.4 DCV
Traction fuse, A	80
Cutting deck fuse, A	80

	Z 245i
Fuse for the connector board, A	3
Lamp type	LED
Vibration levels ¹	
Vibration level on the steering wheel, m/s ²	1.6
Vibration level in the seat, m/s ²	0.9
Cutting deck	
Deck thickness, gauge/mm	8/3.2
Cutting width, in./mm	42/1067
Weight, lb/kg	108/49
Cutting deck motor speed, rpm	2800/min
Cutting deck motor speed, SavE, rpm	2640/min
Cutting height, 12 positions, in./mm	1-4.5/25-114
Number of blades	2
Blade length, in./mm	21.7/533
Blade	
Article number, blade	548 48 47-01
Article number, mulch blade (accessory) ²	548 83 37-01
Article number, collect blade (accessory) ³	548 83 38-01



WARNING: To use a cutting deck that is not approved for the product can cause objects to eject at high speed and cause serious injury. Do not use other cutting

deck types than specified in this operator's manual.

Approved batteries

Only use original Husqvarna batteries for this product.

Battery	EM-5264Li	EM-5239Li
Article number	546 33 10-01	546 33 10-02
Type	Lithium-ion	Lithium-ion
Battery capacity, Ah	63.7	39.2
Nominal voltage, V	50.4	50.4
Weight, kg/lbs	20/44	15/33

¹ Vibration level according to EN ISO 5395. Reported data for vibration level has a typical statistical dispersion (standard deviation) of 1.5 m/s² (steering wheel) and 1.5 m/s² (seat).

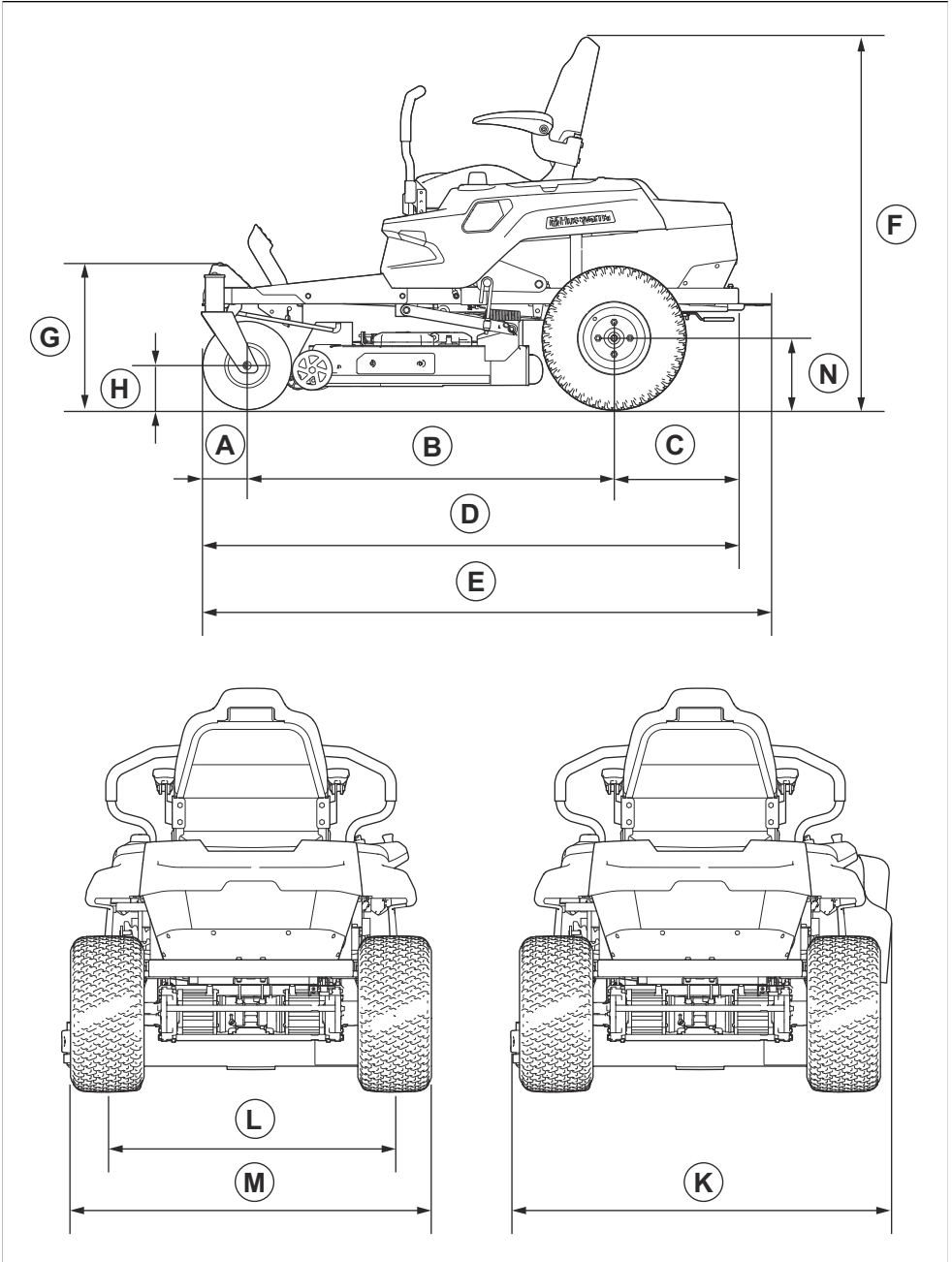
² Use the blades only with the complete mulch kit parts.

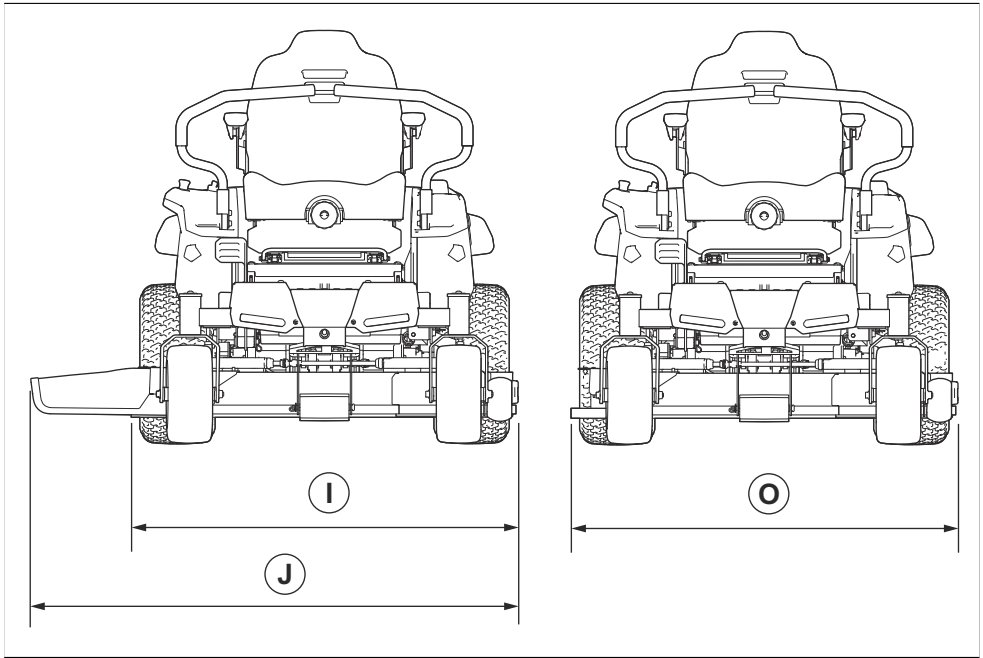
³ Use the blades only with the complete side collection kit parts.

Approved battery chargers

Battery charger	PS875C (Included)	PS300C (Optional)	PS900C (Optional)
Input voltage, V	100–240	220–240	220–240
Input current, A	10	1.8	4.5
Frequency, Hz	60	50–60	50–60
Power, W	875	300	900
Output voltage, V	58	58	58
Output current, A	15±1	5.2	15.5

Product dimensions





Dimensions, mm/in.					
A	146/5.7	F	1185/46.7	K	1122/44.2
B	1167/45.9	G	462/18.2	L	844/33.2
C	395/15.6	H	140/5.5	M	1060/41.7
D	1708/67.2	I	770/13.3	N	229/9
E	1809/71.2	J	1400/55.1	O	1104/43.5

Service

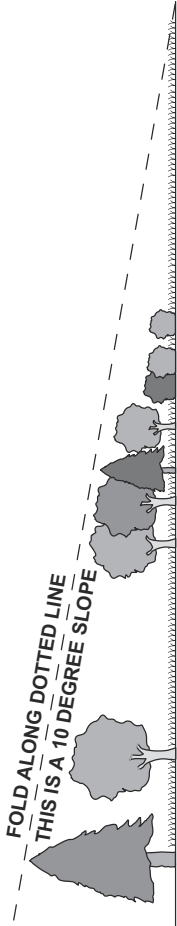
Service

Do a yearly check at an authorized service center to make sure that the product functions safely and at its best during high season. The best time to do a servicing or overhaul of the product is low season.

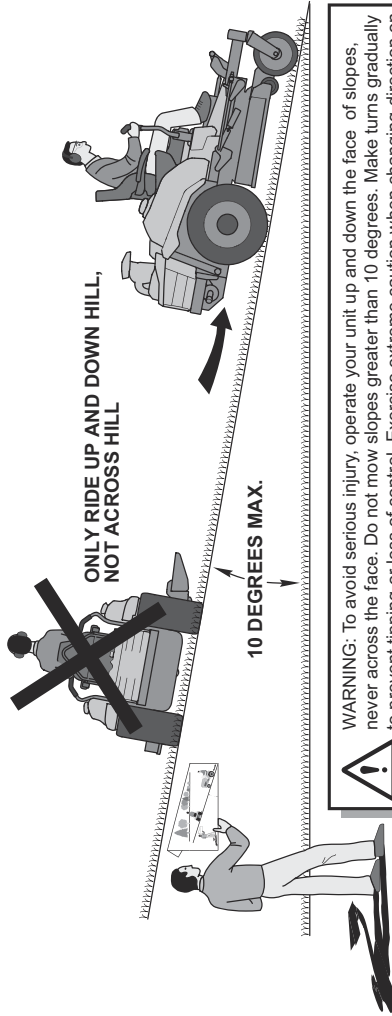
When you send an order for the spare parts, give information about the purchase year, model, type, and serial number.

Always use original spare parts.

SUGGESTED GUIDE FOR SIGHTING SLOPES FOR SAFE OPERATION



1. Fold this page along dotted line indicated above.
2. Hold page before you so that its left edge is vertically parallel to a tree trunk or other upright structure.
3. Sight across the fold in the direction of hill slope you want to measure.
4. Compare the angle of the fold with the slope of the hill.



WARNING: To avoid serious injury, operate your unit up and down the face of slopes, never across the face. Do not mow slopes greater than 10 degrees. Make turns gradually to prevent tipping or loss of control. Exercise extreme caution when changing direction on slopes. Do not mow near drop-offs, ditches, or embankments. Keep at least the width of the machine away from these hazards.
Failure to follow these warnings could lead to death or serious injury.

Husqvarna®

www.husqvarna.com

Original instructions



1144620-28



2025-06-18